



# Malaguti

IDEE IN MOTO

## DRAKON 50 NKD KAT EURO 2



### TELAIO - INDICE TAVOLE

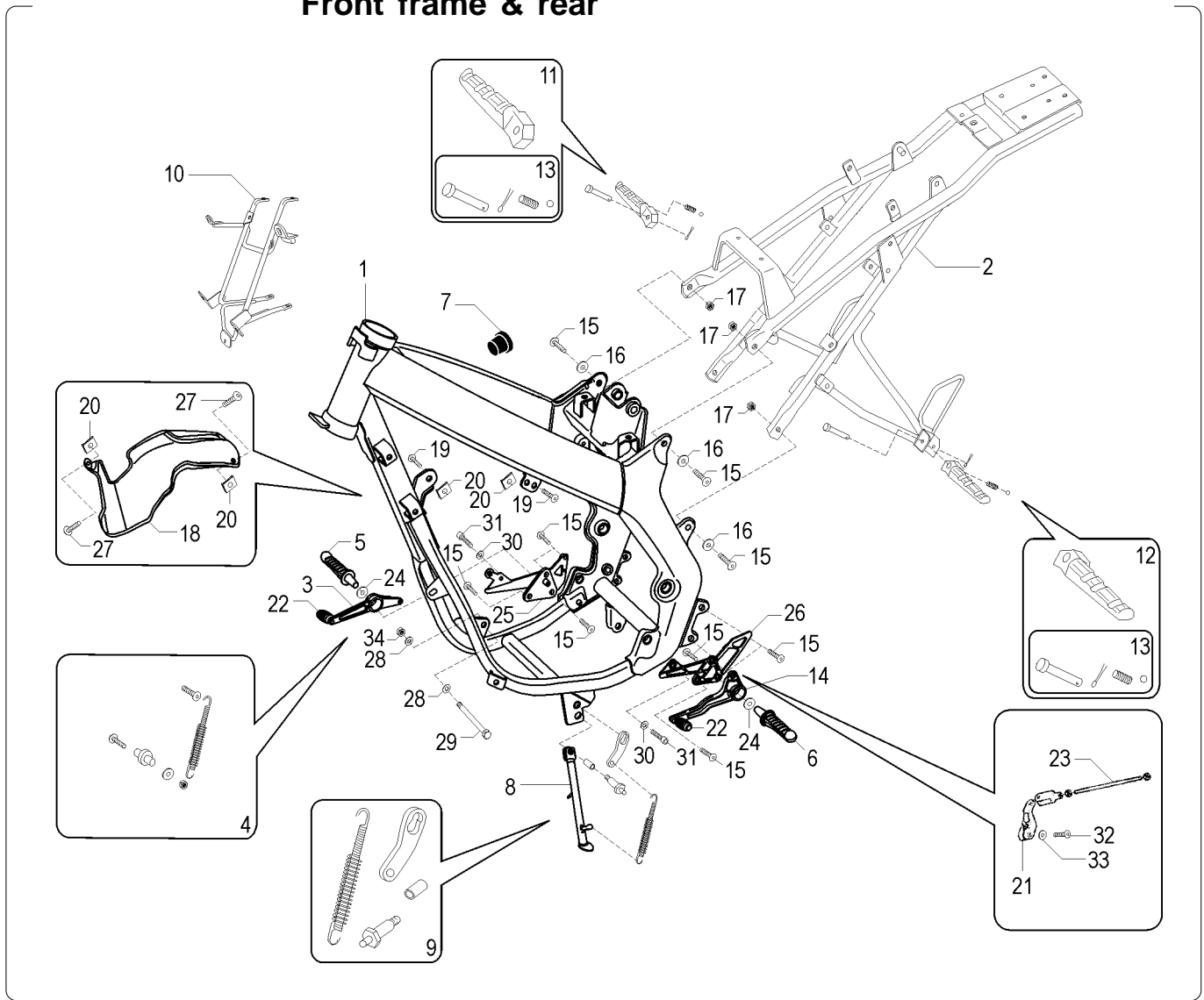
### FRAME - INDEX OF THE TABLES

|            |             |            |             |  |
|------------|-------------|------------|-------------|--|
| TAV. A<br> | TAV. A1<br> | TAV. B<br> | TAV. C<br>  | TAV. D<br>                               |
| TAV. E<br> | TAV. F<br>  | TAV. G<br> | TAV. H<br>  | TAV. I<br>                               |
| TAV. L<br> | TAV. M<br>  | TAV. N<br> | TAV. OO<br> | TAV. O1<br><p>ATTREZZATURA<br/>TOOLS</p> |

### MOTORE - INDICE TAVOLE

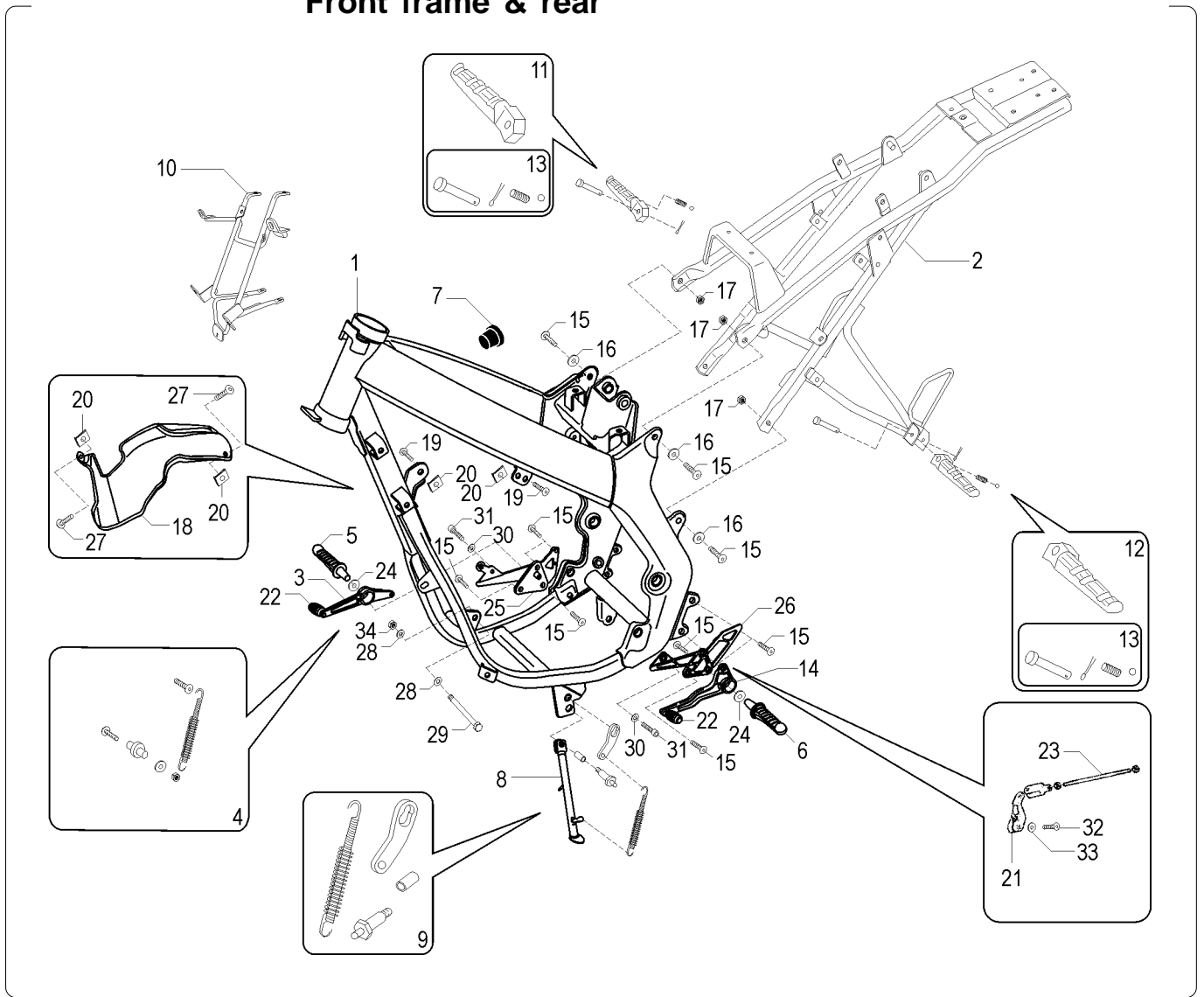
### ENGINE - INDEX OF THE TABLES

|            |             |  |  |  |
|------------|-------------|--|--|--|
| TAV. R<br> | TAV. R1<br> |  |  |  |
|------------|-------------|--|--|--|

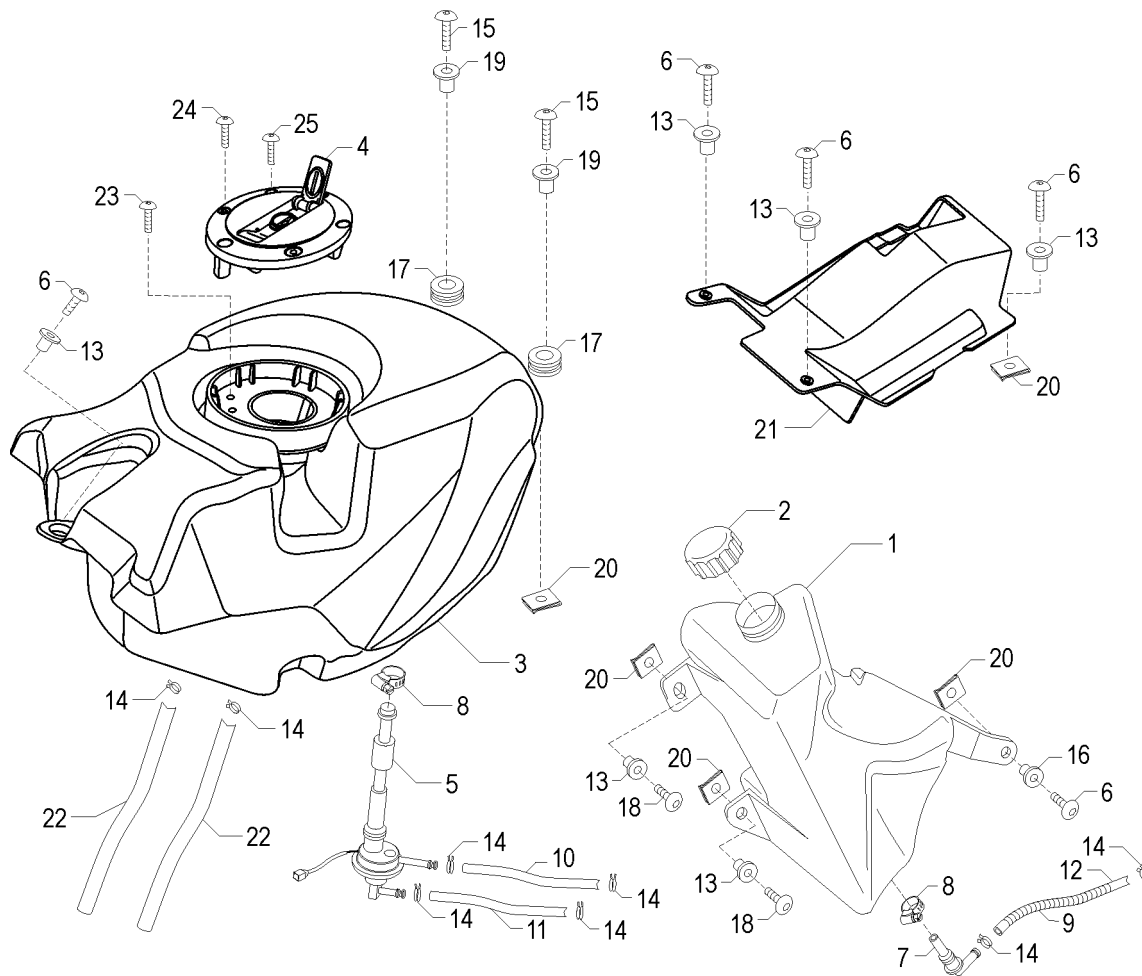


| Nr. | Codice     | Q.tà | Descrizione                       |
|-----|------------|------|-----------------------------------|
| 1   | 156.123.99 | 1    | Telaio anteriore                  |
| 2   | 156.124.99 | 1    | Telaio posteriore                 |
| 3   | 152.024.00 | 1    | Pedale freno                      |
| 4   | 150.375.00 | 1    | Kit ritorno pedale freno          |
| 5   | 084.050.00 | 1    | Poggipiedi dx pilota completo     |
| 6   | 084.050.00 | 1    | Poggipiedi sx pilota completo     |
| 7   | 072.105.00 | 2    | Gommino serbatoio                 |
| 8   | 159.073.99 | 1    | Cavalletto laterale               |
| 9   | 150.367.00 | 1    | Kit fissaggio cavalletto laterale |
| 10  | 191.105.00 | 1    | Supporto frecce e mascherina faro |
| 11  | 084.046.00 | 1    | Poggipiedi dx passegg. completo   |
| 12  | 084.047.00 | 1    | Poggipiedi sx passegg. completo   |
| 13  | 150.317.00 | 2    | Kit fissaggio poggipiedi passegg. |
| 14  | 082.011.00 | 1    | Leva cambio                       |
| 15  | 184.257.00 | 14   | Vite                              |
| 16  | 184.266.13 | 4    | Rondella                          |
| 17  | 185.024.14 | 4    | Dado                              |
| 18  | 191.088.99 | 1    | Protezione serbatoio benzina      |
| 19  | 184.258.00 | 2    | Vite                              |
| 20  | 184.206.00 | 12   | Prestola                          |
| 21  | 131.008.00 | 1    | Rinvio leva cambio                |
| 22  | 072.231.00 | 2    | Gommino pedale freno - cambio     |
| 23  | 153.028.15 | 1    | Asta rinvio cambio                |
| 24  | 150.351.13 | 2    | Boccola leva cambio - freno       |
| 25  | 191.106.99 | 1    | Supporto pedana dx                |

| Nr. | Code       | Q.ty | Description                     |
|-----|------------|------|---------------------------------|
| 1   | 156.123.99 | 1    | Front frame                     |
| 2   | 156.124.99 | 1    | Rear frame                      |
| 3   | 152.024.00 | 1    | Lever brake pedal               |
| 4   | 150.375.00 | 1    | Lever brake pedal return kit    |
| 5   | 084.050.00 | 1    | R/h front bracket footrest assy |
| 6   | 084.050.00 | 1    | L/h front bracket footrest assy |
| 7   | 072.105.00 | 2    | Fuel tank rubber mounting       |
| 8   | 159.073.99 | 1    | Side stand                      |
| 9   | 150.367.00 | 1    | Side stand fixing kit           |
| 10  | 191.105.00 | 1    | Headlight and flasher bracket   |
| 11  | 084.046.00 | 1    | R/h rear bracket footrest assy  |
| 12  | 084.047.00 | 1    | L/h rear bracket footrest assy  |
| 13  | 150.317.00 | 2    | L/h-R/h footrest fixing kit     |
| 14  | 082.011.00 | 1    | Gear lever                      |
| 15  | 184.257.00 | 14   | Screw                           |
| 16  | 184.266.13 | 4    | Washer                          |
| 17  | 185.024.14 | 4    | Nut                             |
| 18  | 191.088.99 | 1    | Fuel tank protection            |
| 19  | 184.258.00 | 2    | Screw                           |
| 20  | 184.206.00 | 12   | Clamp                           |
| 21  | 131.008.00 | 1    | Gear lever drive                |
| 22  | 072.231.00 | 2    | Brake & gear pedal rubber       |
| 23  | 153.028.15 | 1    | Gear lever drive shaft          |
| 24  | 150.351.13 | 2    | Gear & brake lever bush         |
| 25  | 191.106.99 | 1    | R/h footrest bracket            |



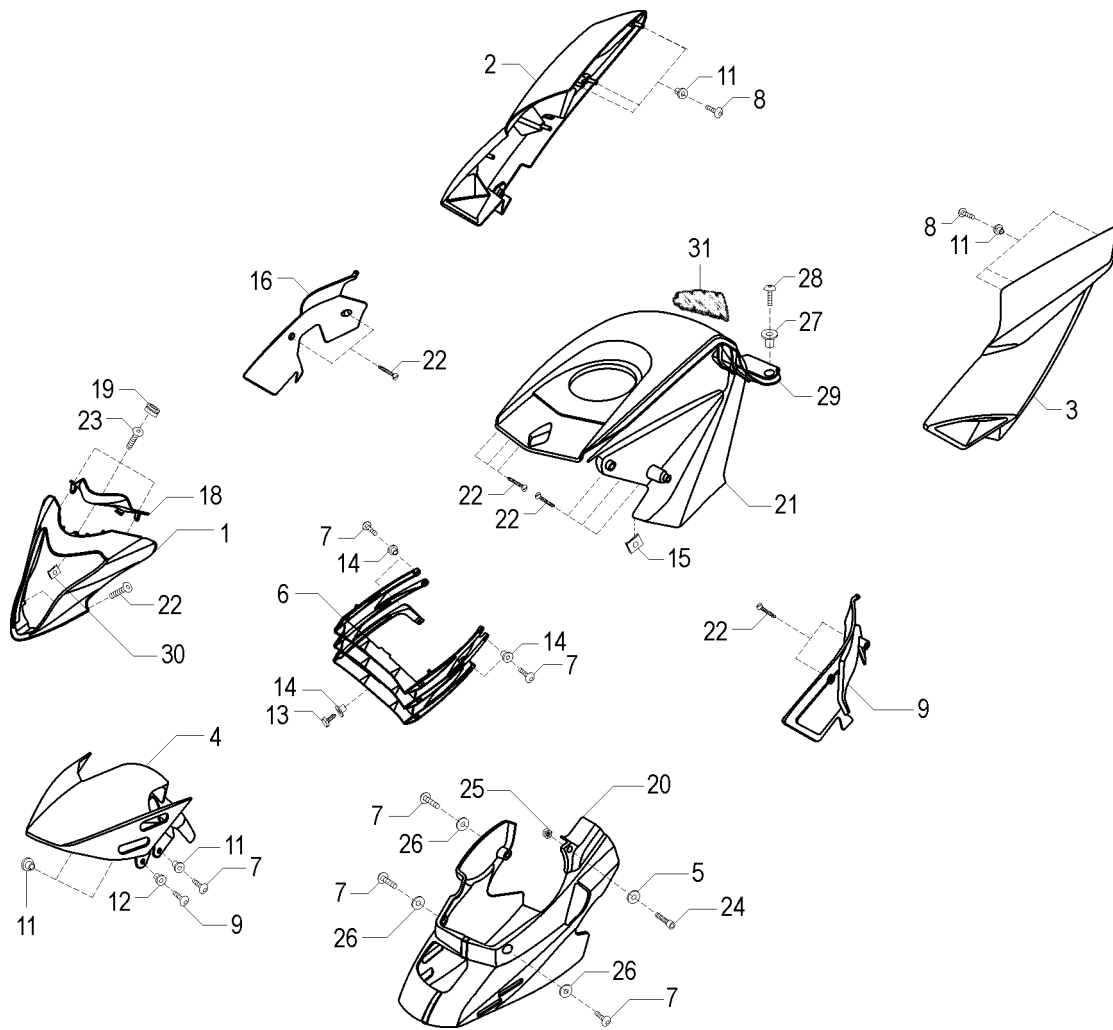
| Nr. | Codice     | Q.tà | Descrizione        | Nr. | Code       | Q.ty | Description          |
|-----|------------|------|--------------------|-----|------------|------|----------------------|
| 26  | 191.107.99 | 1    | Supporto pedana sx | 26  | 191.107.99 | 1    | L/h footrest bracket |
| 27  | 184.359.00 | 2    | Vite               | 27  | 184.359.00 | 2    | Screw                |
| 28  | 184.053.13 | 2    | Rondella           | 28  | 184.053.13 | 2    | Washer               |
| 29  | 184.261.13 | 1    | Vite               | 29  | 184.261.13 | 1    | Screw                |
| 30  | 184.051.13 | 2    | Rondella           | 30  | 184.051.13 | 2    | Washer               |
| 31  | 184.036.13 | 2    | Vite               | 31  | 184.036.13 | 2    | Screw                |
| 32  | 184.218.00 | 1    | Vite               | 32  | 184.218.00 | 1    | Screw                |
| 33  | 184.264.13 | 1    | Rondella           | 33  | 184.264.13 | 1    | Washer               |
| 34  | 184.148.13 | 1    | Dado               | 34  | 184.148.13 | 1    | Nut                  |
| --  | 092.037.00 | 1    | Kit serrature      | --  | 092.037.00 | 1    | Key set              |

**Serbatoio benzina & olio**
**Fuel tank & oil tank**


| Nr. | Codice     | Q.tà | Descrizione                     |
|-----|------------|------|---------------------------------|
| 1   | 069.021.00 | 1    | Serbatoio olio                  |
| 2   | 071.509.00 | 1    | Tappo serbatoio olio            |
| 3   | 161.079.03 | 1    | Serbatoio benzina               |
| 4   | 092.044.00 | 1    | Kit tappo serbatoio benzina     |
| 5   | 093.080.00 | 1    | Rubinetto benzina depressione   |
| 6   | 184.359.00 | 5    | Vite                            |
| 7   | 094.029.00 | 1    | Raccordo olio con filtro        |
| 8   | 167.031.00 | 2    | Fascetta                        |
| 9   | 147.089.13 | 1    | Molla protezione tubo benzina   |
| 10  | 180.003.62 | 1    | Tubo benzina                    |
| 11  | 180.003.65 | 1    | Tubo depressione                |
| 12  | 180.003.63 | 1    | Tubo olio                       |
| 13  | 150.148.14 | 6    | Boccola                         |
| 14  | 167.018.13 | 8    | Fascetta stringitubo            |
| 15  | 184.156.13 | 2    | Vite                            |
| 16  | 150.310.13 | 1    | Boccola                         |
| 17  | 072.161.00 | 2    | Gommino fissaggio serbatoio     |
| 18  | 184.357.00 | 2    | Vite                            |
| 19  | 150.210.13 | 2    | Boccola                         |
| 20  | 184.201.00 | 5    | Prestola M 6                    |
| 21  | 071.651.03 | 1    | Protezione cassetta aspirazione |
| 22  | 180.003.54 | 2    | Tubo benzina                    |
| 23  | 184.260.15 | 1    | Vite                            |
| 24  | 184.341.15 | 3    | Vite                            |
| 25  | 184.342.15 | 3    | Vite                            |

| Nr. | Code       | Q.ty | Description        |
|-----|------------|------|--------------------|
| 1   | 069.021.00 | 1    | Oil tank           |
| 2   | 071.509.00 | 1    | Oil tank cap       |
| 3   | 161.079.03 | 1    | Fuel tank          |
| 4   | 092.044.00 | 1    | Fuel tank cap set  |
| 5   | 093.080.00 | 1    | Fuel pet cock      |
| 6   | 184.359.00 | 5    | Screw              |
| 7   | 094.029.00 | 1    | Oil pipe connector |
| 8   | 167.031.00 | 2    | Clamp              |
| 9   | 147.089.13 | 1    | Pipe spring        |
| 10  | 180.003.62 | 1    | Fuel hose          |
| 11  | 180.003.65 | 1    | Depression hose    |
| 12  | 180.003.63 | 1    | Oil hose           |
| 13  | 150.148.14 | 6    | Collar             |
| 14  | 167.018.13 | 8    | Clamp              |
| 15  | 184.156.13 | 2    | Screw              |
| 16  | 150.310.13 | 1    | Collar             |
| 17  | 072.161.00 | 2    | Rubber grommet     |
| 18  | 184.357.00 | 2    | Screw              |
| 19  | 150.210.13 | 2    | Collar             |
| 20  | 184.201.00 | 5    | Clamp              |
| 21  | 071.651.03 | 1    | Air box protection |
| 22  | 180.003.54 | 2    | Fuel hose          |
| 23  | 184.260.15 | 1    | Screw              |
| 24  | 184.341.15 | 3    | Screw              |
| 25  | 184.342.15 | 3    | Screw              |



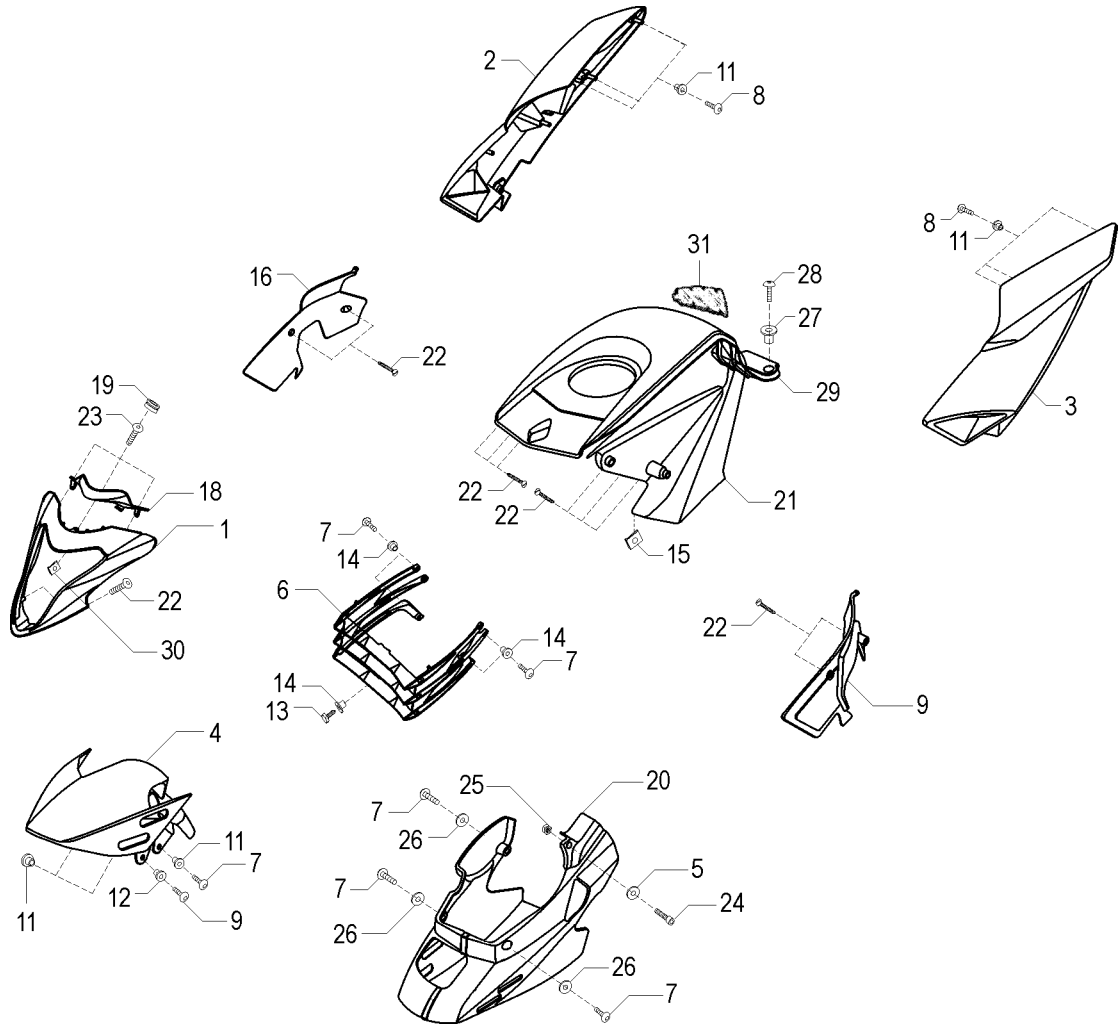
**Carrozzeria anteriore  
Front body**


| Nr. | Codice      | Q.tà | Descrizione                        |
|-----|-------------|------|------------------------------------|
| 1   | 058.050. -- | 1    | Mascherina portafanale *           |
| 2   | 062.076. -- | 1    | Convogliatore radiatore dx *       |
| 3   | 062.077. -- | 1    | Convogliatore radiatore sx *       |
| 4   | 055.067. -- | 1    | Parafango anteriore *              |
| 5   | 184.079.13  | 1    | Rondella                           |
| 6   | 071.652.03  | 1    | Griglia radiatore                  |
| 7   | 184.359.00  | 11   | Vite                               |
| 8   | 184.364.00  | 2    | Vite                               |
| 9   | 071.647.03  | 1    | Copertura interna convogliatore sx |
| 10  | 184.357.00  | 2    | Vite                               |
| 11  | 150.310.13  | 12   | Boccola                            |
| 12  | 150.148.14  | 2    | Boccola                            |
| 13  | 184.171.15  | 2    | Vite                               |
| 14  | 150.305.13  | 7    | Boccola                            |
| 15  | 184.201.00  | 8    | Prestola M 6                       |
| 16  | 071.646.03  | 1    | Copertura interna convogliatore dx |
| 17  | 071.152.03  | 10   | Paracolpi                          |
| 18  | 071.645.03  | 1    | Protezione antiviverbero           |
| 19  | 181.422.00  | 1    | Stemma                             |
| 20  | 063.248. -- | 1    | Puntone - Carter copripignone *    |
| 21  | 063.250. -- | 1    | Copriserbatoio *                   |
| 22  | 184.390.00  | 14   | Vite                               |
| 23  | 184.319.13  | 3    | Vite                               |
| 24  | 184.260.15  | 1    | Vite                               |

| Nr. | Code        | Q.ty | Description                        |
|-----|-------------|------|------------------------------------|
| 1   | 058.050. -- | 1    | Headlight housing *                |
| 2   | 062.076. -- | 1    | R/h side cover *                   |
| 3   | 062.077. -- | 1    | L/h side cover *                   |
| 4   | 055.067. -- | 1    | Front mudguard *                   |
| 5   | 184.079.13  | 1    | Washer                             |
| 6   | 071.652.03  | 1    | Water cooler grid                  |
| 7   | 184.359.00  | 11   | Screw                              |
| 8   | 184.364.00  | 2    | Screw                              |
| 9   | 071.647.03  | 1    | L/h internal side cover            |
| 10  | 184.357.00  | 2    | Screw                              |
| 11  | 150.310.13  | 12   | Collar                             |
| 12  | 150.148.14  | 2    | Collar                             |
| 13  | 184.171.15  | 2    | Screw                              |
| 14  | 150.305.13  | 7    | Collar                             |
| 15  | 184.201.00  | 8    | Clamp                              |
| 16  | 071.646.03  | 1    | R/h internal side cover            |
| 17  | 071.152.03  | 10   | Full bump                          |
| 18  | 071.645.03  | 1    | Protection                         |
| 19  | 181.422.00  | 1    | Badge                              |
| 20  | 063.248. -- | 1    | Belly pan - Chain sprocket cover * |
| 21  | 063.250. -- | 1    | Fuel tank cover *                  |
| 22  | 184.390.00  | 14   | Screw                              |
| 23  | 184.319.13  | 3    | Screw                              |
| 24  | 184.260.15  | 1    | Screw                              |

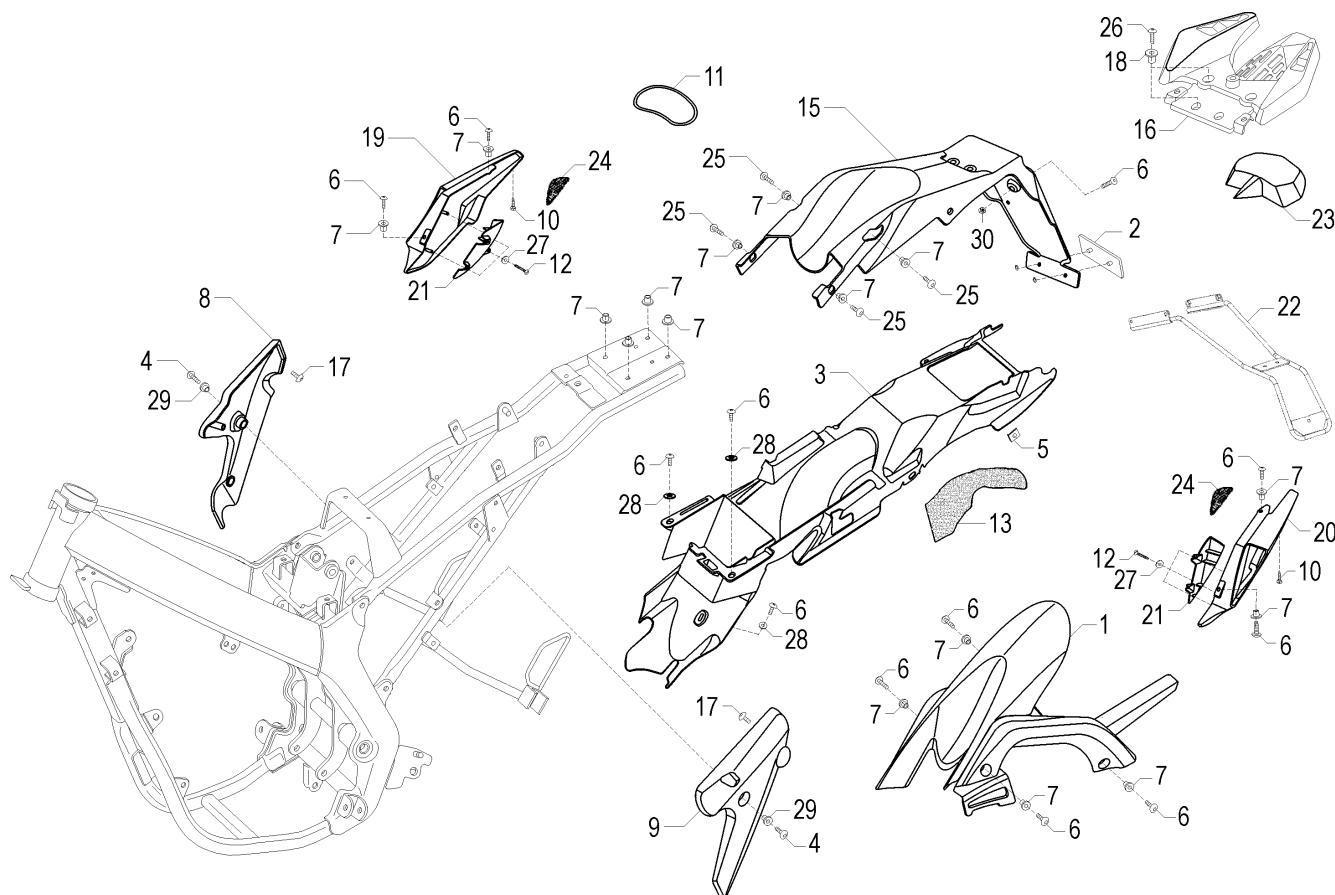
\* Vedi tav. N° OO Colori

\* Refer to N° OO Colour table



| Nr. | Codice     | Q.tà | Descrizione                        |
|-----|------------|------|------------------------------------|
| 25  | 184.114.13 | 1    | Dado                               |
| 26  | 184.051.13 | 3    | Rondella                           |
| 27  | 150.210.13 | 2    | Boccola                            |
| 28  | 184.255.15 | 2    | Vite                               |
| 29  | 310.797.15 | 1    | Piastra serbatoio                  |
| 30  | 184.152.00 | 1    | Prestola M 5                       |
| 31  | 181.421.00 | 1    | Protezione serbatoio               |
| --  | 181.424.-- | 1    | Serie marche <b>CNK 50 Drakon*</b> |

| Nr. | Code       | Q.ty | Description                      |
|-----|------------|------|----------------------------------|
| 25  | 184.114.13 | 1    | Nut                              |
| 26  | 184.051.13 | 3    | Washer                           |
| 27  | 150.210.13 | 2    | Collar                           |
| 28  | 184.255.15 | 2    | Screw                            |
| 29  | 310.797.15 | 1    | Fuel tank plate                  |
| 30  | 184.152.00 | 1    | Clip                             |
| 31  | 181.421.00 | 1    | Fuel tank protection             |
| --  | 181.424.-- | 1    | <b>CNK 50 Drakon label set *</b> |

**Carrozzeria posteriore**
**Rear body**


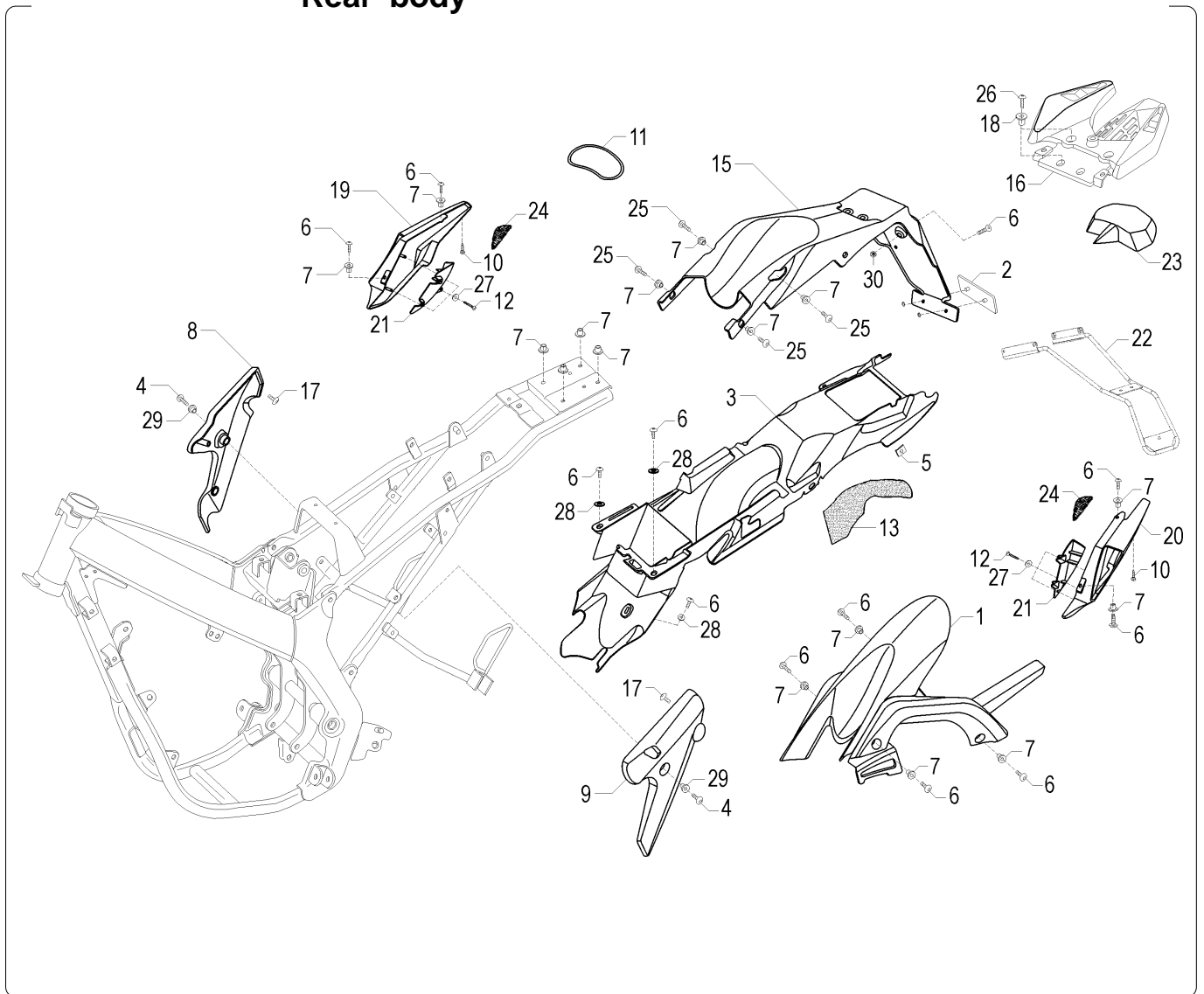
| Nr. | Codice      | Q.tà | Descrizione                         |
|-----|-------------|------|-------------------------------------|
| 1   | 056.077.03  | 1    | Parafango posteriore                |
| 2   | 071.117.01  | 1    | Catadiottro rosso                   |
| 3   | 071.650.03  | 1    | Bancalina protezione ammortizzatore |
| 4   | 184.255.15  | 2    | Vite                                |
| 5   | 184.201.00  | 14   | Prestola M 6                        |
| 6   | 184.359.00  | 15   | Vite                                |
| 7   | 150.148.14  | 16   | Boccola                             |
| 8   | 060.118. -- | 1    | Portanumero laterale dx *           |
| 9   | 060.119. -- | 1    | Portanumero laterale sx *           |
| 10  | 184.390.00  | 6    | Vite                                |
| 11  | 072.167.00  | 1    | Elastico fissaggio batteria         |
| 12  | 184.067.13  | 6    | Vite                                |
| 13  | 072.217.00  | 1    | Protezione termica                  |
| 14  | 184.364.00  | 3    | Vite                                |
| 15  | 008.007.00  | 1    | Portatarga                          |
| 16  | 063.249.93  | 1    | Maniglione                          |
| 17  | 071.152.03  | 10   | Paracolpi                           |
| 18  | 184.326.00  | 4    | Boccola maniglione                  |
| 19  | 063.246. -- | 1    | Codino dx *                         |
| 20  | 063.247. -- | 1    | Codino sx *                         |
| 21  | 071.698.03  | 1    | Kit coperture interne fianchetti    |
| 22  | 156.125.99  | 1    | Rinforzo portatarga                 |
| 23  | 071.648. -- | 1    | Copertura fanale posteriore *       |

| Nr. | Code        | Q.ty | Description                       |
|-----|-------------|------|-----------------------------------|
| 1   | 056.077.03  | 1    | Rear mudguard                     |
| 2   | 071.117.01  | 1    | Red reflector                     |
| 3   | 071.650.03  | 1    | Shock absorber protection         |
| 4   | 184.255.15  | 2    | Screw                             |
| 5   | 184.201.00  | 14   | Clamp                             |
| 6   | 184.359.00  | 15   | Screw                             |
| 7   | 150.148.14  | 16   | Collar                            |
| 8   | 060.118. -- | 1    | R/h number holder *               |
| 9   | 060.119. -- | 1    | L/h number holder *               |
| 10  | 184.390.00  | 6    | Screw                             |
| 11  | 072.167.00  | 1    | Battery fixing belt               |
| 12  | 184.067.13  | 6    | Screw                             |
| 13  | 072.217.00  | 1    | Thermic protection                |
| 14  | 184.364.00  | 3    | Screw                             |
| 15  | 008.007.00  | 1    | License plate bracket             |
| 16  | 063.249.93  | 1    | Rear handle                       |
| 17  | 071.152.03  | 10   | Full bump                         |
| 18  | 184.326.00  | 4    | Rear handle bush                  |
| 19  | 063.246. -- | 1    | R/h side cover *                  |
| 20  | 063.247. -- | 1    | L/h side cover *                  |
| 21  | 071.698.03  | 1    | R/h - L/h internal side cover set |
| 22  | 156.125.99  | 1    | License plate stiffening          |
| 23  | 071.648. -- | 1    | Tail light cover *                |

\* Vedi tav. N° OO Colori

\* Refer to N° OO Colour table





| Nr. | Codice     | Q.tà | Descrizione                        |
|-----|------------|------|------------------------------------|
| 24  | 071.699.03 | 1    | Kit griglie                        |
| 25  | 184.338.15 | 4    | Vite                               |
| 26  | 184.257.00 | 4    | Vite                               |
| 27  | 184.046.14 | 6    | Rondella                           |
| 28  | 184.051.13 | 3    | Rondella                           |
| 29  | 150.210.13 | 2    | Boccola                            |
| 30  | 184.078.13 | 1    | Dado                               |
| --  | 181.424.-- | 1    | Serie marche <b>CNK 50 Drakon*</b> |

| Nr. | Code       | Q.ty | Description                      |
|-----|------------|------|----------------------------------|
| 24  | 071.699.03 | 1    | L/h - R/h grid set               |
| 25  | 184.338.15 | 4    | Screw                            |
| 26  | 184.257.00 | 4    | Screw                            |
| 27  | 184.046.14 | 6    | Washer                           |
| 28  | 184.051.13 | 3    | Washer                           |
| 29  | 150.210.13 | 2    | Collar                           |
| 30  | 184.078.13 | 1    | Nut                              |
| --  | 181.424.-- | 1    | <b>CNK 50 Drakon label set *</b> |

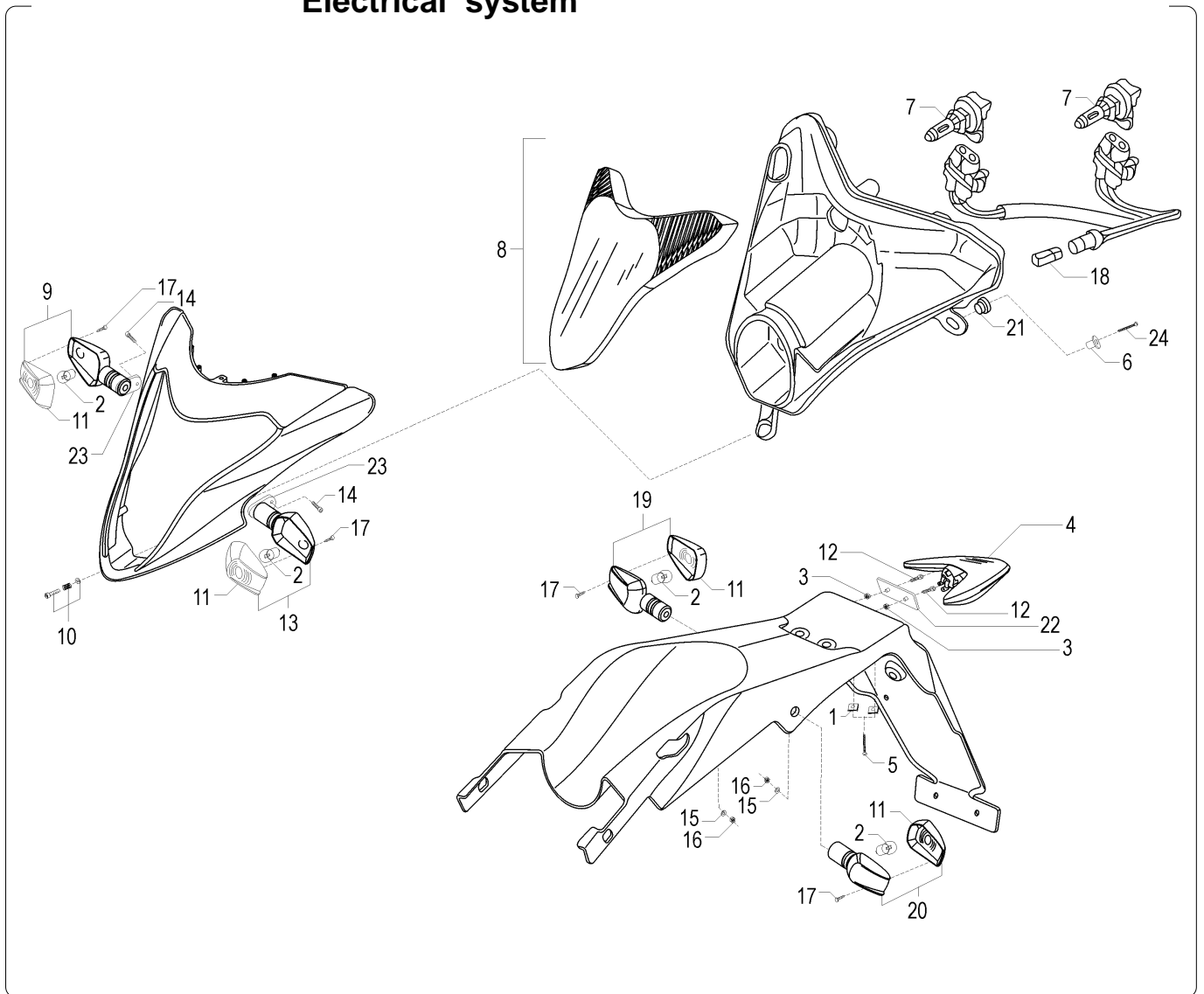
\* Vedi tav. N° OO Colori

\* Refer to N° OO Colour table



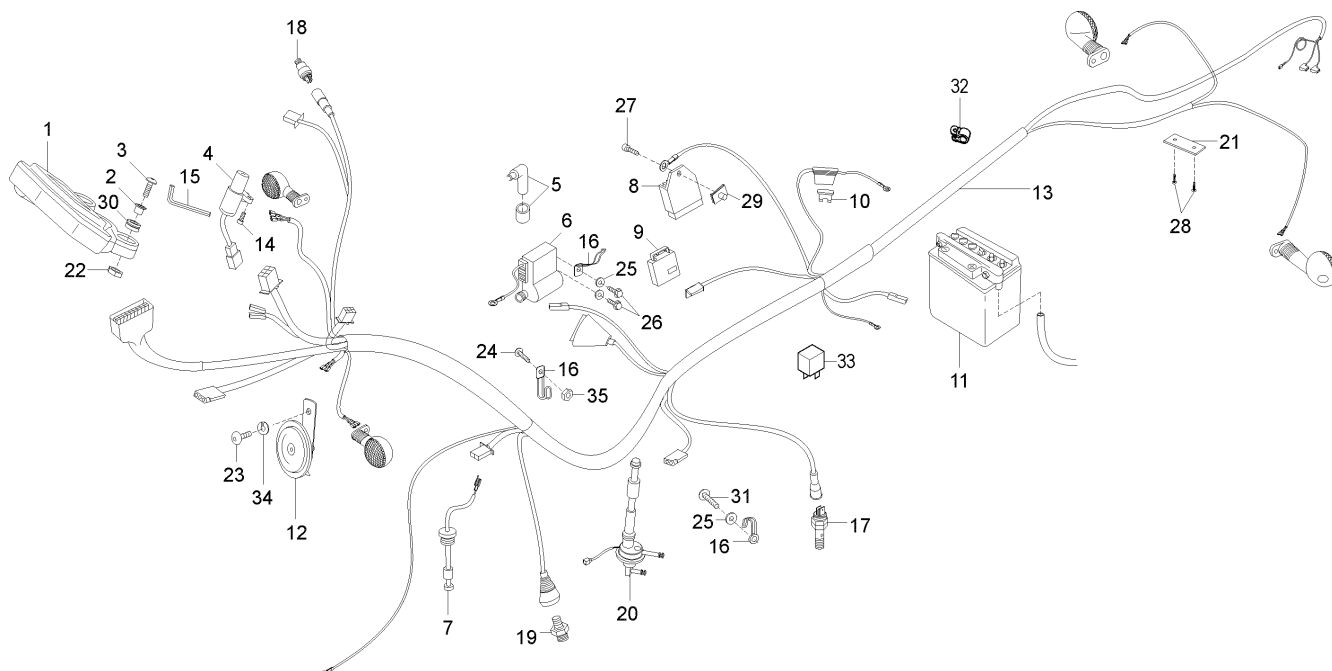




**Impianto elettrico**  
**Electrical system**


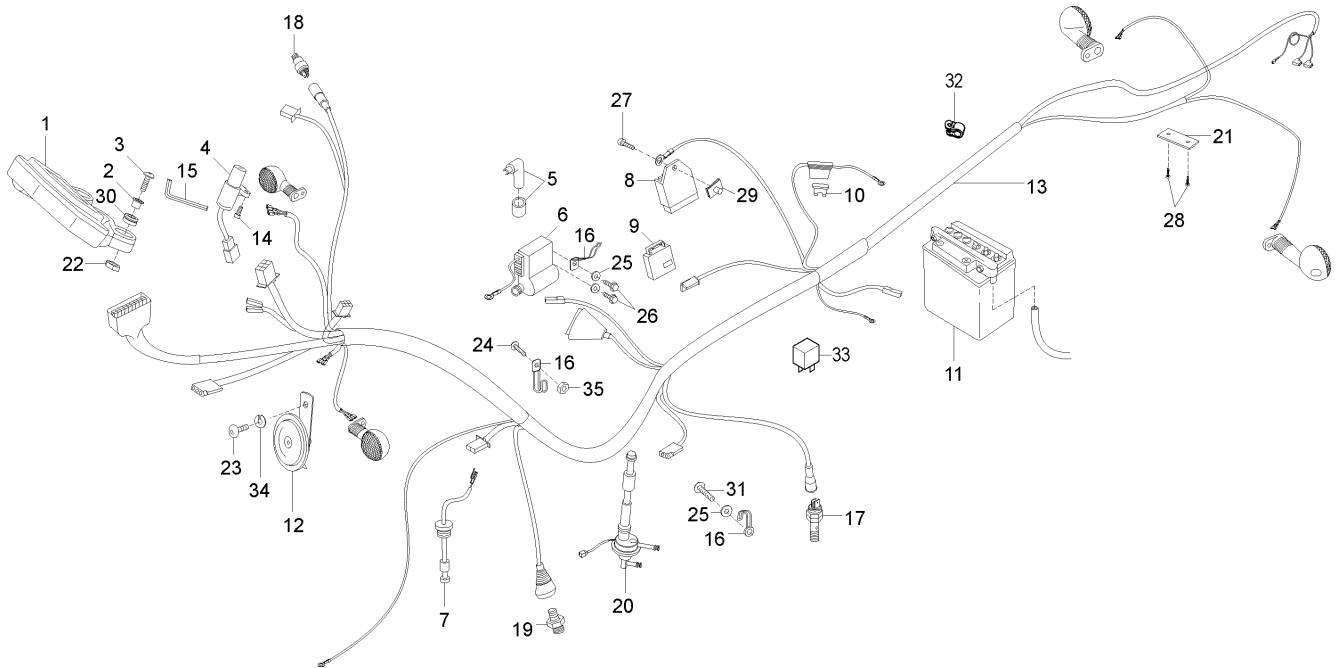
| Nr. | Codice     | Q.tà | Descrizione                         |
|-----|------------|------|-------------------------------------|
| 1   | 184.201.00 | 2    | Prestola M 6                        |
| 2   | 022.108.00 | 4    | Lampadina 12 V - 10 W               |
| 3   | 184.078.13 | 2    | Dado                                |
| 4   | 016.077.00 | 1    | Fanalino posteriore                 |
| 5   | 184.319.13 | 3    | Vite                                |
| 6   | 150.148.14 | 4    | Boccola                             |
| 7   | 022.101.00 | 2    | Lampadina 12 V - 35 W - H 8         |
| 8   | 015.048.00 | 1    | Faro anteriore                      |
| 9   | 019.112.00 | 1    | Indicatore direzione ant. dx        |
| 10  | 190.071.00 | 1    | Kit regolazione faro                |
| 11  |            |      | <b>NON FORNIBILE</b>                |
| 12  | 184.337.00 | 2    | Inserto vite fanalino posteriore    |
| 13  | 019.113.00 | 1    | Indicatore direzione ant. sx        |
| 14  | 184.067.13 | 2    | Vite                                |
| 15  | 184.329.13 | 2    | Rondella                            |
| 16  | 184.145.13 | 2    | Dado                                |
| 17  | 184.039.15 | 4    | Vite                                |
| 18  | 022.047.00 | 1    | Lampada 12 V - 3 W                  |
| 19  | 019.114.00 | 1    | Indicatore direzione post. dx       |
| 20  | 019.115.00 | 1    | Indicatore direzione post. sx       |
| 21  | 075.010.00 | 2    | Silentblock faro                    |
| 22  | 191.108.15 | 1    | Piastra fissaggio fanale posteriore |
| 23  | 191.109.15 | 2    | Piastra fissaggio frecce anteriori  |
| 24  | 184.390.00 | 4    | Vite                                |

| Nr. | Code       | Q.ty | Description                   |
|-----|------------|------|-------------------------------|
| 1   | 184.201.00 | 2    | Clip                          |
| 2   | 022.108.00 | 4    | 12 V - 10 W bulb              |
| 3   | 184.078.13 | 2    | Nut                           |
| 4   | 016.077.00 | 1    | Tail light assy               |
| 5   | 184.319.13 | 3    | Screw                         |
| 6   | 150.148.14 | 4    | Collar                        |
| 7   | 022.101.00 | 2    | 12 V - 35 W - H 8 bulb        |
| 8   | 015.048.00 | 1    | Headlight assy                |
| 9   | 019.112.00 | 1    | Front r/h indicator assy      |
| 10  | 190.071.00 | 1    | Headlight adjusting kit       |
| 11  |            |      | <b>NOT AVAILABLE</b>          |
| 12  | 184.337.00 | 2    | Tail light insert screw       |
| 13  | 019.113.00 | 1    | Front l/h indicator assy      |
| 14  | 184.067.13 | 2    | Screw                         |
| 15  | 184.329.13 | 2    | Washer                        |
| 16  | 184.145.13 | 2    | Nut                           |
| 17  | 184.039.15 | 4    | Screw                         |
| 18  | 022.047.00 | 1    | 12 V - 3 W bulb               |
| 19  | 019.114.00 | 1    | Rear r/h indicator assy       |
| 20  | 019.115.00 | 1    | Rear l/h indicator assy       |
| 21  | 075.010.00 | 2    | Silentblock                   |
| 22  | 191.108.15 | 1    | Tail light fixing plate       |
| 23  | 191.109.15 | 2    | Front indicators fixing plate |
| 24  | 184.390.00 | 4    | Screw                         |

**Impianto elettrico**
**Electrical system**


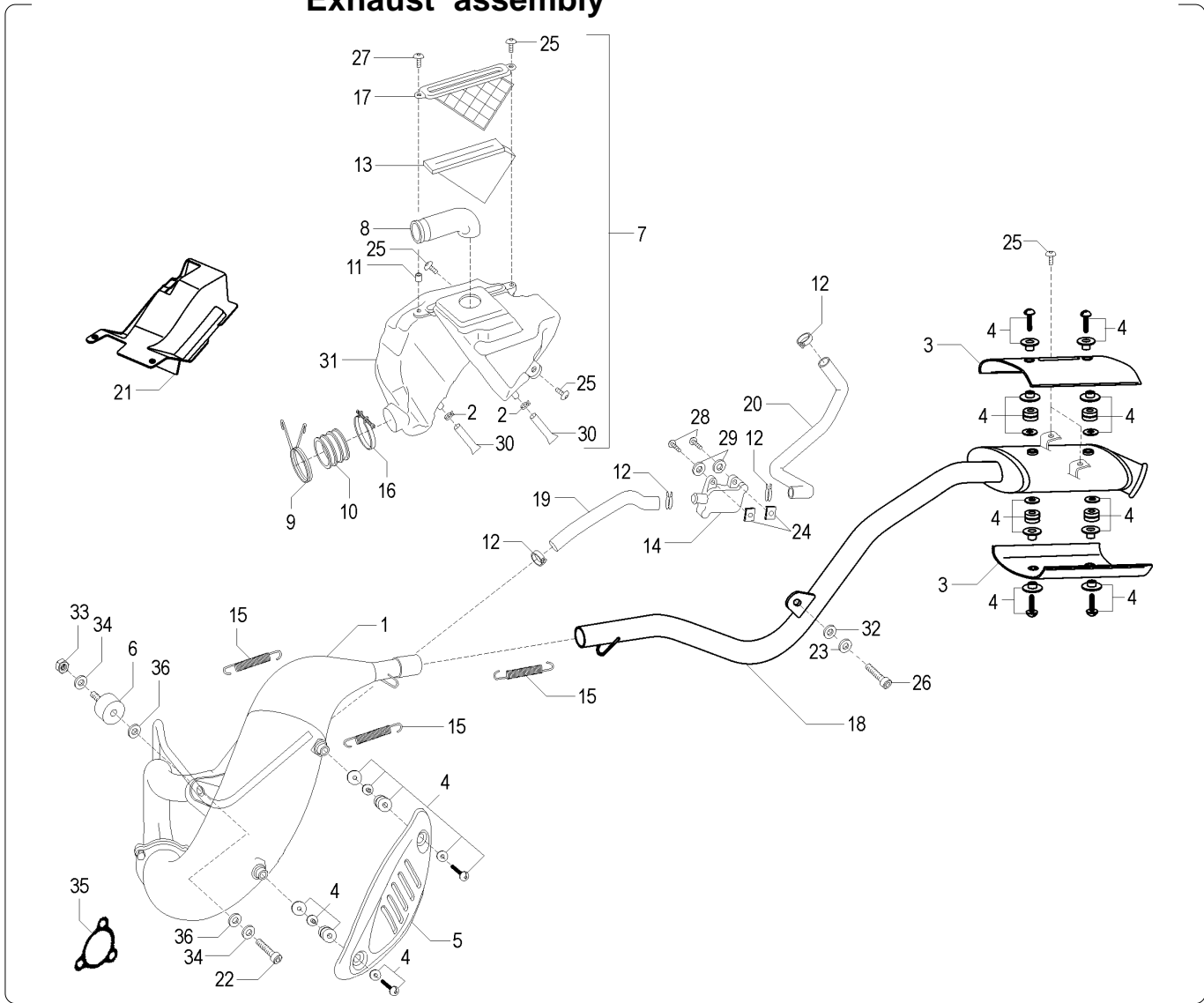
| Nr. | Codice     | Q.tà | Descrizione                                       |
|-----|------------|------|---|
| 1   | 196.169.00 | 1    | Cruscotto digitale<br>(fino a telaio n° 72004318) |
| 1   | 196.197.00 | 1    | Cruscotto digitale<br>(da telaio n° 72004319)     |
| 2   | 150.210.13 | 2    | Boccola fissaggio cruscotto                       |
| 3   | 184.091.15 | 2    | Vite fissaggio cruscotto                          |
| 4   | 020.071.00 | 1    | Commutatore di avviamento                         |
| 5   | 073.007.00 | 1    | Pipetta candela con cappuccio                     |
| 6   | 024.022.00 | 1    | Centralina CDI                                    |
| 7   | 093.032.00 | 1    | Sonda livello olio                                |
| 8   | 026.021.00 | 1    | Regolatore  |
| 9   | 025.023.00 | 1    | Intermittenza                                     |
| 10  | 025.010.00 | 1    | Fusibile 10 A                                     |
| 11  | 074.032.00 | 1    | Batteria 12 V - 5 Ah                              |
| 12  | 018.072.00 | 1    | Avvisatore acustico                               |
| 13  | 017.412.00 | 1    | Cablaggio centrale<br>(fino a telaio n° 72004318) |
| 13  | 017.437.00 | 1    | Cablaggio centrale<br>(da telaio n° 72004319)     |
| 14  | 184.368.00 | 2    | Vite antimanomissione                             |
| 15  | 086.066.00 | 1    | Chiave vite antimanomissione                      |
| 16  | 167.039.00 | 3    | Fascetta ferma cablaggio                          |
| 17  | 021.025.00 | 1    | Interruttore stop posteriore                      |
| 18  | 021.026.00 | 2    | Interruttore stop anteriore                       |
| 19  | 021.027.00 | 1    | Bulbo temperatura acqua                           |
| 20  | 093.080.00 | 1    | Rubinetto benzina                                 |

| Nr. | Code       | Q.ty | Description                                     |
|-----|------------|------|---|
| 1   | 196.169.00 | 1    | Digital dashboard<br>(to frame n° 72004318)     |
| 1   | 196.197.00 | 1    | Digital dashboard<br>(from frame n° 72004319)   |
| 2   | 150.210.13 | 2    | Bush  |
| 3   | 184.091.15 | 2    | Screw   |
| 4   | 020.071.00 | 1    | Main switch                                     |
| 5   | 073.007.00 | 1    | Spark plug cap                                  |
| 6   | 024.022.00 | 1    | CDI   |
| 7   | 093.032.00 | 1    | Oil level gauge                                 |
| 8   | 026.021.00 | 1    | Regulator                                       |
| 9   | 025.023.00 | 1    | Flasher relay                                   |
| 10  | 025.010.00 | 1    | 10 A fuse                                       |
| 11  | 074.032.00 | 1    | 12 V - 5 Ah battery                             |
| 12  | 018.072.00 | 1    | Horn  |
| 13  | 017.412.00 | 1    | Main switch harness<br>(to frame n° 72004318)   |
| 13  | 017.437.00 | 1    | Main switch harness<br>(from frame n° 72004319) |
| 14  | 184.368.00 | 2    | Antitampering screw                             |
| 15  | 086.066.00 | 1    | Antitampering screw spanner                     |
| 16  | 167.039.00 | 3    | Clamp   |
| 17  | 021.025.00 | 1    | Stop switch, rear                               |
| 18  | 021.026.00 | 2    | Stop switch, front                              |
| 19  | 021.027.00 | 1    | Water temperature sender                        |
| 20  | 093.080.00 | 1    | Fuel pet cock                                   |

**Impianto elettrico**  
**Electrical system**


| Nr. | Codice     | Q.tà | Descrizione                 |
|-----|------------|------|-----------------------------|
| 21  | 071.542.03 | 1    | Fermacavi frecce posteriori |
| 22  | 184.078.13 | 2    | Dado                        |
| 23  | 184.364.00 | 1    | Vite                        |
| 24  | 184.258.00 | 1    | Vite                        |
| 25  | 184.051.13 | 3    | Rondella                    |
| 26  | 184.171.15 | 2    | Vite                        |
| 27  | 184.104.13 | 1    | Vite                        |
| 28  | 184.047.15 | 2    | Vite                        |
| 29  | 184.201.00 | 1    | Prestola M 6                |
| 30  | 080.002.00 | 2    | Gommino                     |
| 31  | 184.357.00 | 1    | Vite                        |
| 32  | 167.062.00 | 1    | Fascetta                    |
| 33  | 025.015.00 | 1    | Relais avviamento           |
| 34  | 184.264.13 | 1    | Rondella                    |
| 35  | 184.153.14 | 1    | Dado                        |

| Nr. | Code       | Q.ty | Description                  |
|-----|------------|------|------------------------------|
| 21  | 071.542.03 | 1    | Rear indicator harness clamp |
| 22  | 184.078.13 | 2    | Nut                          |
| 23  | 184.364.00 | 1    | Screw                        |
| 24  | 184.258.00 | 1    | Screw                        |
| 25  | 184.051.13 | 3    | Washer                       |
| 26  | 184.171.15 | 2    | Screw                        |
| 27  | 184.104.13 | 1    | Screw                        |
| 28  | 184.047.15 | 2    | Screw                        |
| 29  | 184.201.00 | 1    | Clamp                        |
| 30  | 080.002.00 | 2    | Rubber grommet               |
| 31  | 184.357.00 | 1    | Screw                        |
| 32  | 167.062.00 | 1    | Clamp                        |
| 33  | 025.015.00 | 1    | Starter relais               |
| 34  | 184.264.13 | 1    | Washer                       |
| 35  | 184.153.14 | 1    | Nut                          |

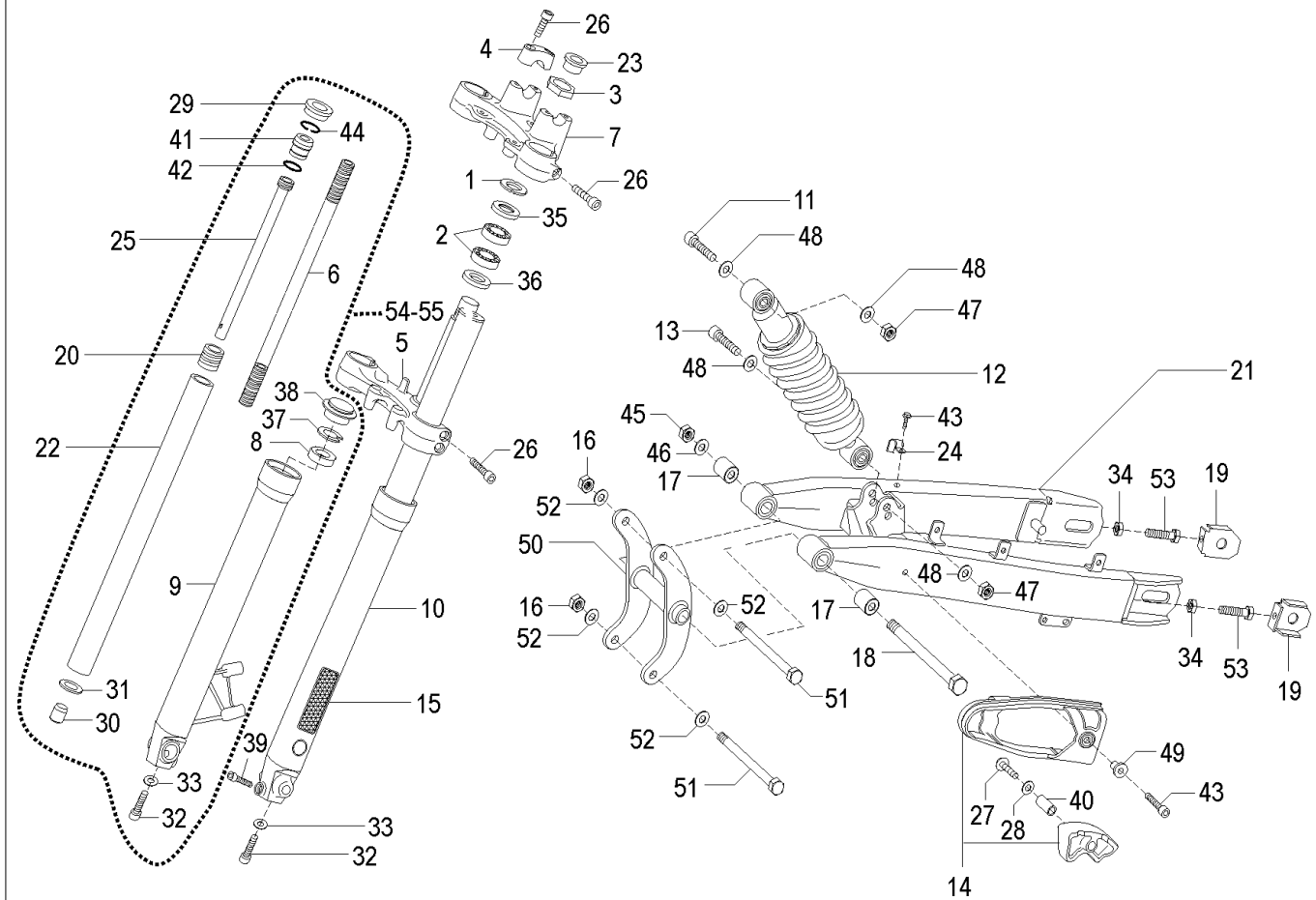


| Nr. | Codice     | Q.tà | Descrizione                          |
|-----|------------|------|--------------------------------------|
| 1   | 165.205.99 | 1    | Marmitta catalitica                  |
| 2   | 167.018.13 | 2    | Fascetta stringitubo                 |
| 3   | 071.703.16 | 1    | Protezione silenziatore              |
| 4   | 150.320.00 | 2    | Kit fissaggio griglia marmitta       |
| 5   | 071.580.03 | 1    | Protezione marmitta                  |
| 6   | 075.042.00 | 1    | Silentblock marmitta                 |
| 7   | 066.139.03 | 1    | Cassetta filtro completa             |
| 8   | 076.037.00 | 1    | Manicotto cassetta aspirazione       |
| 9   | 147.157.13 | 1    | Molla manicotto aspirazione          |
| 10  | 076.035.00 | 1    | Manicotto aspirazione al carburatore |
| 11  | 075.028.00 | 1    | Boccola                              |
| 12  | 167.049.00 | 4    | Fascetta                             |
| 13  | 066.140.00 | 1    | Filtro aspirazione                   |
| 14  | 094.023.00 | 1    | Valvola aria AIS                     |
| 15  | 147.026.14 | 3    | Molla scarico                        |
| 16  | 167.061.00 | 1    | Fascetta manicotto aspirazione       |
| 17  | 066.142.03 | 1    | Coperchio cassetta filtro            |
| 18  | 166.048.99 | 1    | Silenziatore scarico                 |
| 19  | 180.061.00 | 1    | Tubo marmitta - valvola              |
| 20  | 180.062.00 | 1    | Tubo valvola - cassetta filtro       |
| 21  | 071.651.03 | 1    | Protezione cassetta aspirazione      |
| 22  | 184.272.13 | 1    | Vite silentblock marmitta            |
| 23  | 184.264.13 | 1    | Rondella                             |
| 24  | 184.152.00 | 2    | Prestola M 5                         |
| 25  | 184.359.00 | 4    | Vite                                 |

| Nr. | Code       | Q.ty | Description               |
|-----|------------|------|---------------------------|
| 1   | 165.205.99 | 1    | Kat - exhaust system assy |
| 2   | 167.018.13 | 2    | Clamp                     |
| 3   | 071.703.16 | 1    | Silencer heat shield      |
| 4   | 150.320.00 | 2    | Heat shield fixing screw  |
| 5   | 071.580.03 | 1    | Exhaust heat shield       |
| 6   | 075.042.00 | 1    | Exhaust silentblock       |
| 7   | 066.139.03 | 1    | Air box assy              |
| 8   | 076.037.00 | 1    | Air box intake sleeve     |
| 9   | 147.157.13 | 1    | Air box spring clip       |
| 10  | 076.035.00 | 1    | Air box carb. sleeve      |
| 11  | 075.028.00 | 1    | Collar                    |
| 12  | 167.049.00 | 4    | Clamp                     |
| 13  | 066.140.00 | 1    | Air filter                |
| 14  | 094.023.00 | 1    | AIS air valve             |
| 15  | 147.026.14 | 3    | Exhaust spring            |
| 16  | 167.061.00 | 1    | Clamp                     |
| 17  | 066.142.03 | 1    | Air box cover             |
| 18  | 166.048.99 | 1    | Kat - silencer assy       |
| 19  | 180.061.00 | 1    | Hose ( exhaust - valve )  |
| 20  | 180.062.00 | 1    | Hose ( valve - air box )  |
| 21  | 071.651.03 | 1    | Air box protection        |
| 22  | 184.272.13 | 1    | Screw                     |
| 23  | 184.264.13 | 1    | Washer                    |
| 24  | 184.152.00 | 2    | Clamp                     |
| 25  | 184.359.00 | 4    | Screw                     |

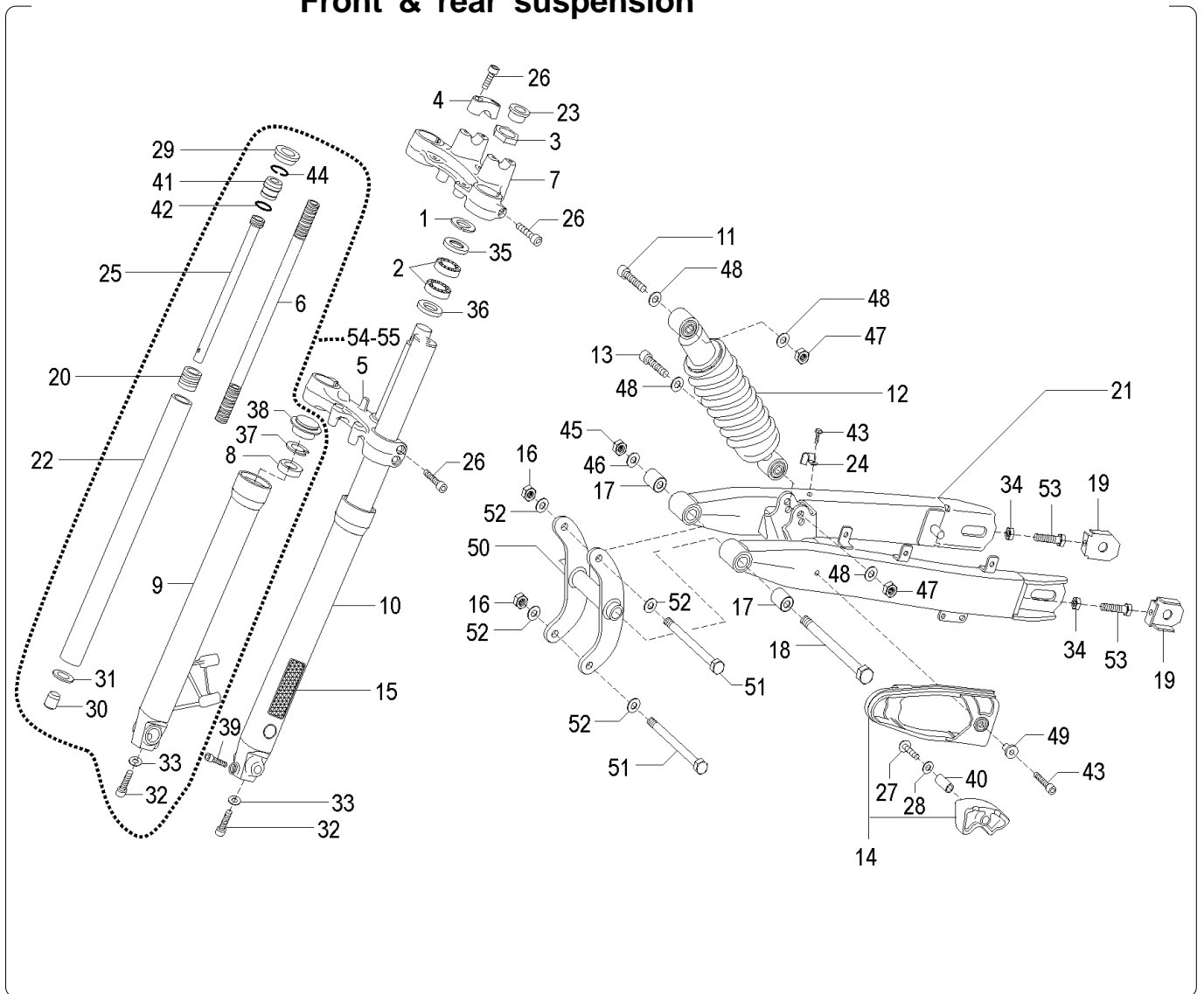






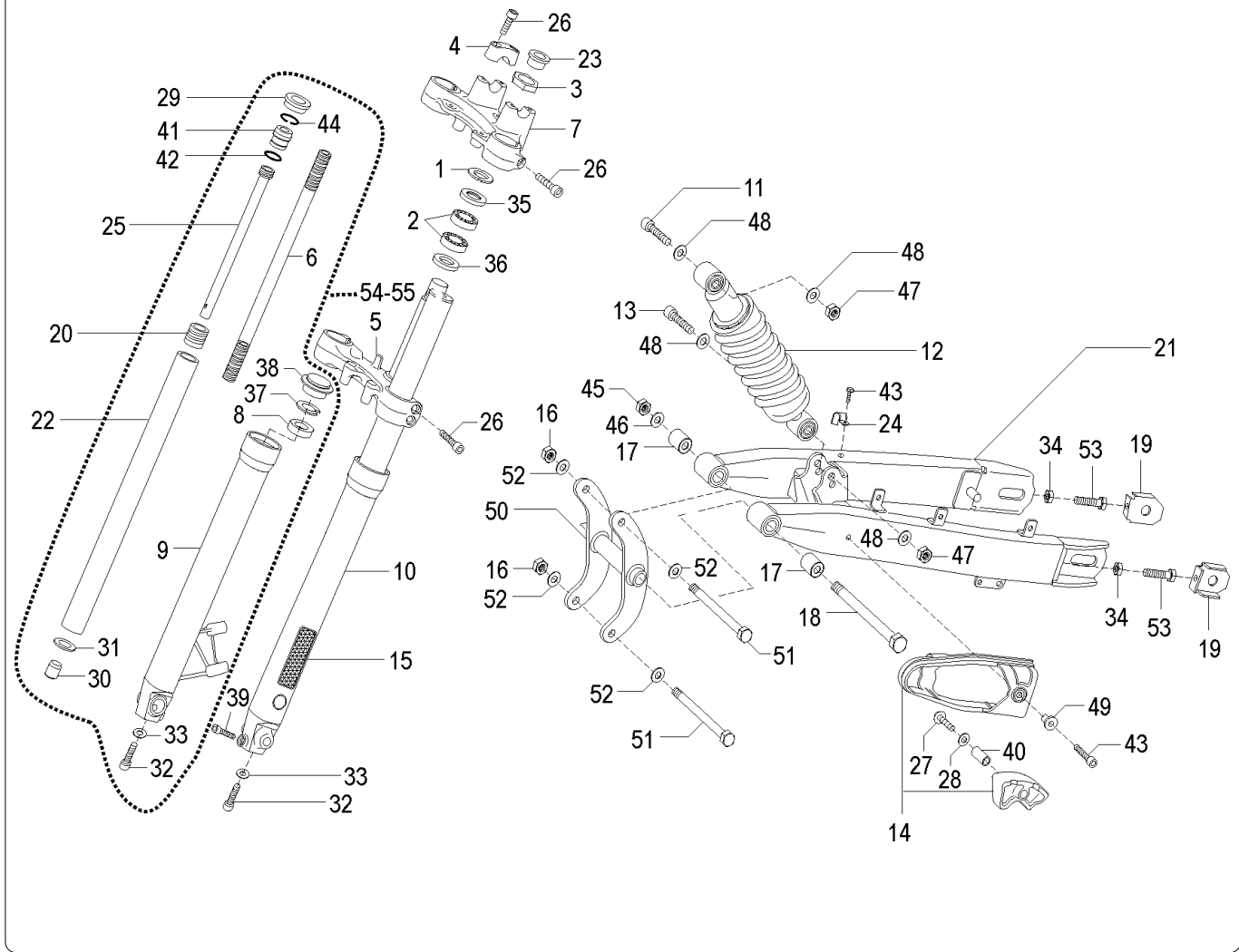
| Nr. | Codice     | Q.tà | Descrizione                   |
|-----|------------|------|-------------------------------|
| 1   | 185.119.01 | 1    | Ghiera registro sterzo        |
| 2   | 104.040.01 | 2    | Cuscinetto sterzo             |
| 3   | 185.120.01 | 1    | Dado canotto sterzo           |
| 4   | 120.508.01 | 2    | Morsetto superiore manubrio   |
| 5   | 120.510.01 | 1    | Trapezio inferiore            |
| 6   | 120.507.01 | 2    | Molla dx / sx                 |
| 7   | 120.509.01 | 1    | Trapezio superiore            |
| 8   | 120.447.01 | 2    | Paraolio forcella             |
| 9   | 120.513.03 | 1    | Fodero dx                     |
| 10  | 120.514.03 | 1    | Fodero sx                     |
| 11  | 184.262.13 | 1    | Vite fissaggio superiore      |
| 12  | 010.067.03 | 1    | Ammortizzatore                |
| 13  | 184.182.13 | 1    | Vite fissaggio inferiore      |
| 14  | 071.547.00 | 1    | Pattino catena completo       |
| 15  | 071.649.00 | 1    | Catadiottro ambra             |
| 16  | 184.148.13 | 2    | Dado                          |
| 17  | 075.040.00 | 2    | Silentblock forcellone        |
| 18  | 100.019.13 | 1    | Perno forcellone              |
| 19  | 189.021.00 | 2    | Tendicatena                   |
| 20  | 120.441.01 | 2    | Molla fine corsa              |
| 21  | 157.072.03 | 1    | Forcellone                    |
| 22  | 120.433.01 | 2    | Canna forcella dx / sx        |
| 23  | 120.429.01 | 1    | Protezione canotto sterzo     |
| 24  | 167.059.00 | 1    | Fascetta fissaggio tubo freno |
| 25  | 120.511.01 | 2    | Stelo pompante                |

| Nr. | Code       | Q.ty | Description              |
|-----|------------|------|--------------------------|
| 1   | 185.119.01 | 1    | Steering nut set         |
| 2   | 104.040.01 | 2    | Steering head bearing    |
| 3   | 185.120.01 | 1    | Steering nut             |
| 4   | 120.508.01 | 2    | Handlebar holder clamp   |
| 5   | 120.510.01 | 1    | Steering bottom yoke     |
| 6   | 120.507.01 | 2    | Spring, R/h - L/h        |
| 7   | 120.509.01 | 1    | Steering top yoke        |
| 8   | 120.447.01 | 2    | Fork oil seal            |
| 9   | 120.513.03 | 1    | R/h tube outer           |
| 10  | 120.514.03 | 1    | L/h tube outer           |
| 11  | 184.262.13 | 1    | Upper fixing screw       |
| 12  | 010.067.03 | 1    | Shock absorber           |
| 13  | 184.182.13 | 1    | Lower fixing screw       |
| 14  | 071.547.00 | 1    | Chain sliding shoe assy  |
| 15  | 071.649.00 | 1    | Amber reflector          |
| 16  | 184.148.13 | 2    | Nut                      |
| 17  | 075.040.00 | 2    | Swinging arm silentblock |
| 18  | 100.019.13 | 1    | Swinging arm pivot       |
| 19  | 189.021.00 | 2    | Chain tightener          |
| 20  | 120.441.01 | 2    | Spring                   |
| 21  | 157.072.03 | 1    | Swinging arm             |
| 22  | 120.433.01 | 2    | Inner tube, R/h - L/h    |
| 23  | 120.429.01 | 1    | Steering shaft plug      |
| 24  | 167.059.00 | 1    | Brake hose fixing clamp  |
| 25  | 120.511.01 | 2    | Piston tube              |



| Nr. | Codice     | Q.tà | Descrizione                 |
|-----|------------|------|-----------------------------|
| 26  | 184.248.01 | 10   | Viti fissaggio trapezio     |
| 27  | 184.038.13 | 1    | Vite                        |
| 28  | 184.053.13 | 1    | Rondella                    |
| 29  | 120.431.01 | 2    | Tappo tubo canna forcella   |
| 30  | 120.448.01 | 2    | Cono fine corsa             |
| 31  | 184.252.01 | 2    | Rondella cono fine corsa    |
| 32  | 184.250.01 | 2    | Vite base cono              |
| 33  | 184.251.01 | 2    | Rondella base cono          |
| 34  | 184.145.13 | 2    | Dado                        |
| 35  | 072.003.00 | 1    | Parapolvere superiore       |
| 36  | 071.539.00 | 1    | Parapolvere inferiore       |
| 37  | 120.455.01 | 2    | Anello tenuta paraolio      |
| 38  | 120.456.01 | 2    | Cuffia parapolvere          |
| 39  | 120.454.01 | 1    | Vite base fodero            |
| 40  | 150.311.13 | 1    | Distanziale pattino catena  |
| 41  | 120.523.01 | 2    | Distanziale interno         |
| 42  | 120.432.01 | 2    | O-Ring                      |
| 43  | 184.171.15 | 2    | Vite                        |
| 44  | 120.452.01 | 2    | Anello fissaggio tappo tubo |
| 45  | 185.010.00 | 1    | Dado                        |
| 46  | 119.224.00 | 1    | Rondella                    |
| 47  | 184.263.14 | 2    | Dado                        |
| 48  | 184.094.13 | 4    | Rondella                    |
| 49  | 150.148.14 | 1    | Boccola                     |
| 50  | 174.039.99 | 1    | Attacco motore              |

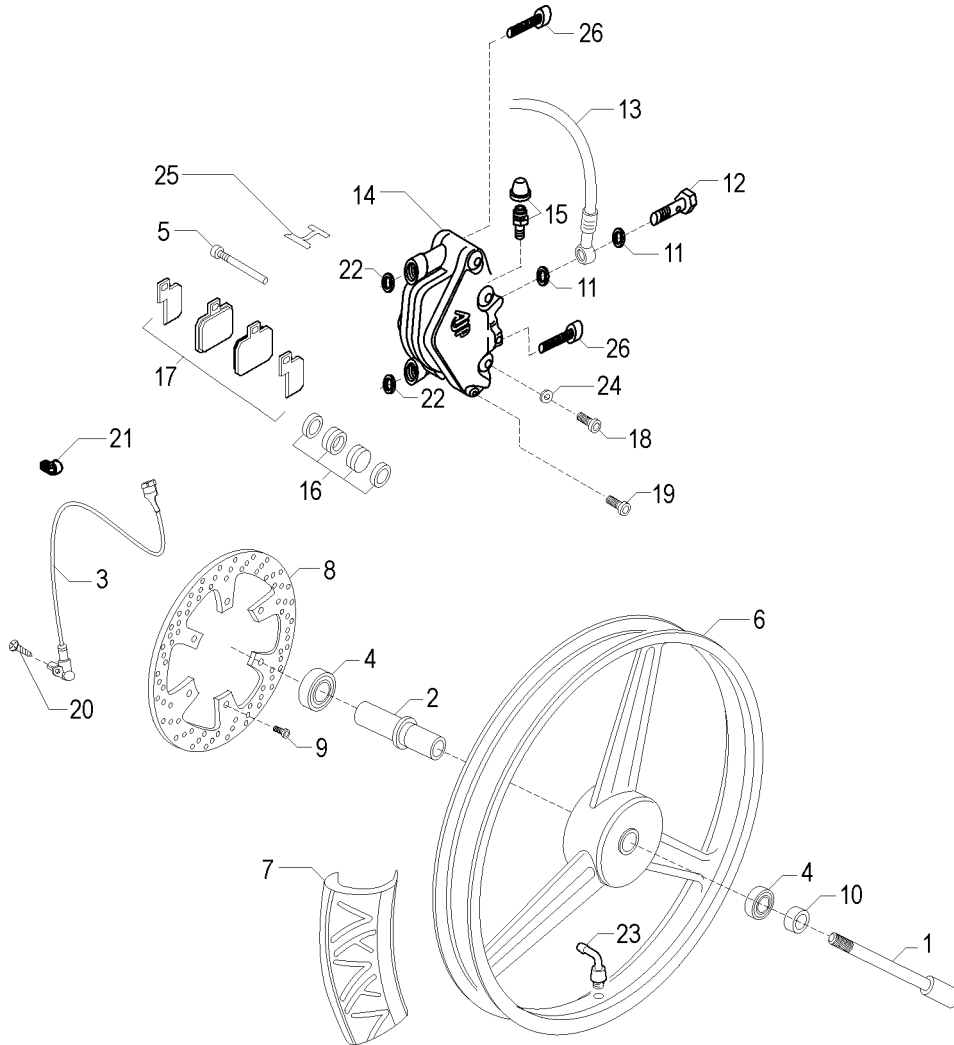
| Nr. | Code       | Q.ty | Description              |
|-----|------------|------|--------------------------|
| 26  | 184.248.01 | 10   | Fixing screw             |
| 27  | 184.038.13 | 1    | Screw                    |
| 28  | 184.053.13 | 1    | Washer                   |
| 29  | 120.431.01 | 2    | Plug inner tube          |
| 30  | 120.448.01 | 2    | Taper spindle            |
| 31  | 184.252.01 | 2    | Washer                   |
| 32  | 184.250.01 | 2    | Screw                    |
| 33  | 184.251.01 | 2    | Washer                   |
| 34  | 184.145.13 | 2    | Nut                      |
| 35  | 072.003.00 | 1    | Dust seal upper          |
| 36  | 071.539.00 | 1    | Dust seal lower          |
| 37  | 120.455.01 | 2    | Clip oil seal            |
| 38  | 120.456.01 | 2    | Dust seal                |
| 39  | 120.454.01 | 1    | Screw                    |
| 40  | 150.311.13 | 1    | Chain slidin shoe spacer |
| 41  | 120.523.01 | 2    | Inner spacer             |
| 42  | 120.432.01 | 2    | O-Ring                   |
| 43  | 184.171.15 | 2    | Screw                    |
| 44  | 120.452.01 | 2    | Plug inner tube ring     |
| 45  | 185.010.00 | 1    | Nut                      |
| 46  | 119.224.00 | 1    | Washer                   |
| 47  | 184.263.14 | 2    | Nut                      |
| 48  | 184.094.13 | 4    | Washer                   |
| 49  | 150.148.14 | 1    | Collar                   |
| 50  | 174.039.99 | 1    | Engine bracket           |



| Nr. | Codice     | Q.tà | Descrizione        |
|-----|------------|------|--------------------|
| 51  | 184.261.13 | 2    | Vite               |
| 52  | 184.053.13 | 4    | Rondella           |
| 53  | 184.271.13 | 2    | Vite               |
| 54  | 120.517.03 | 1    | Portaruota dx      |
| 55  | 120.516.03 | 1    | Portaruota sx      |
| --  | 013.060.50 | 1    | Forcella idraulica |

| Nr. | Code       | Q.ty | Description        |
|-----|------------|------|--------------------|
| 51  | 184.261.13 | 2    | Screw              |
| 52  | 184.053.13 | 4    | Washer             |
| 53  | 184.271.13 | 2    | Screw              |
| 54  | 120.517.03 | 1    | Fork leg assy, r/h |
| 55  | 120.516.03 | 1    | Fork leg assy, l/h |
| --  | 013.060.50 | 1    | Front fork assy    |





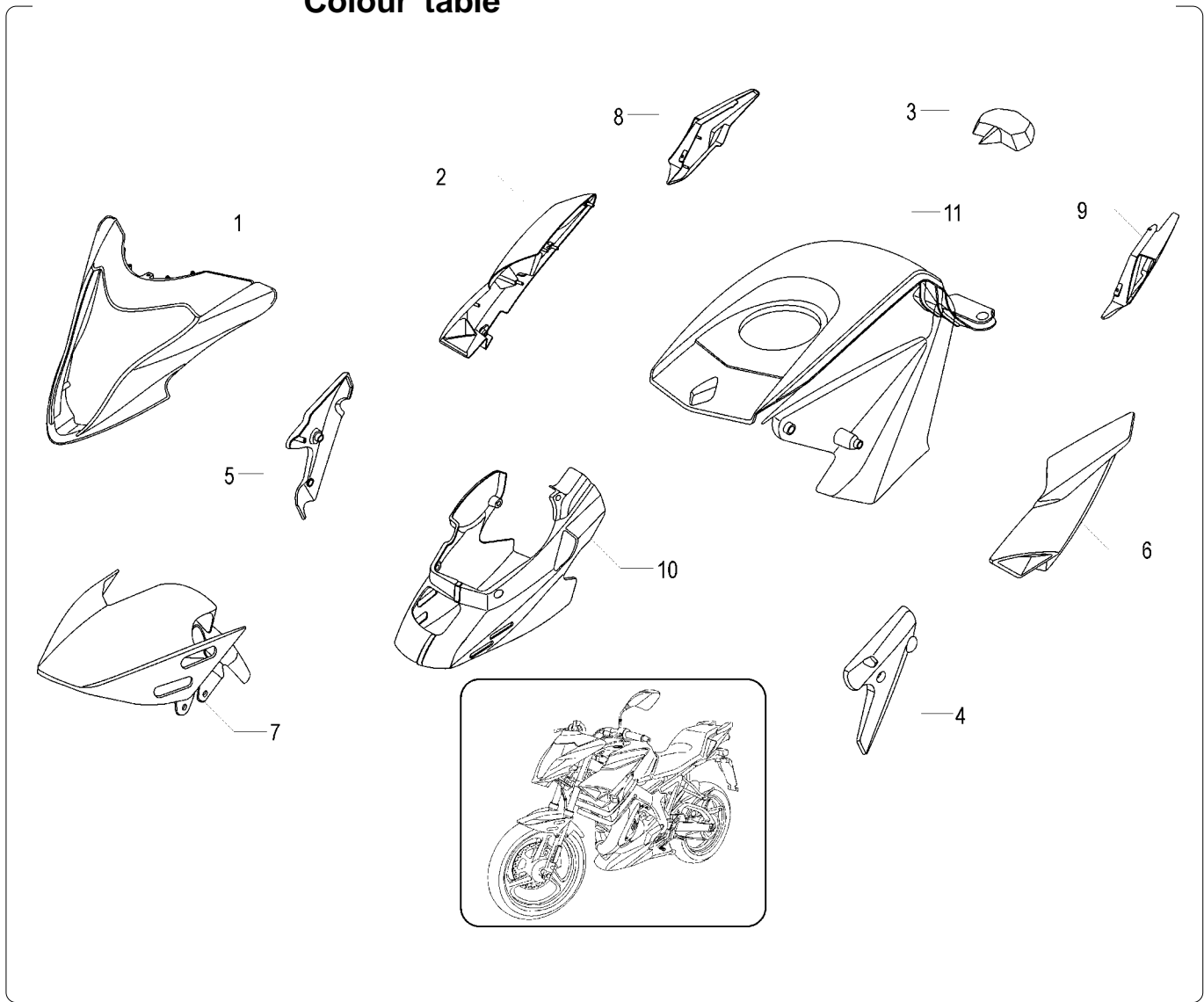
| Nr. | Codice     | Q.tà | Descrizione                |
|-----|------------|------|----------------------------|
| 23  | 094.021.00 | 1    | Valvola tubeless           |
| 24  | 119.563.00 | 2    | Rondella corpo pinza freno |
| 25  | 119.629.00 | 1    | Piastrina ferma pastiglie  |
| 26  | 184.166.13 | 2    | Vite fissaggio pinza freno |

| Nr. | Code       | Q.ty | Description      |
|-----|------------|------|------------------|
| 23  | 094.021.00 | 1    | Wheel valve      |
| 24  | 119.563.00 | 2    | Washer           |
| 25  | 119.629.00 | 1    | Brake pads plate |
| 26  | 184.166.13 | 2    | Screw            |







**Colori moto  
 Colour table**

**TABELLA COLORI - COLOUR CODES**
**Colori - Colours**

| <b>N°<br/>Nr.</b> | <b>Codice<br/>Code</b> | <b>70<br/>Giallo<br/>Yellow Race</b> | <b>71<br/>Rosso Corsa<br/>Racing Red</b> | <b>93<br/>Nero Velvet<br/>Mat Black</b> | <b>86<br/>Orange</b> |  |  |  |
|-------------------|------------------------|--------------------------------------|--|---|----------------------|--|--|--|
| 1                 | 058.050.               | 70                                   | 71                                       | 93                                      | 86                   |  |  |  |
| 2                 | 060.118.               | 93                                   | 93                                       | 93                                      | 93                   |  |  |  |
| 3                 | 071.648                | 93                                   | 93                                       | 93                                      | 93                   |  |  |  |
| 4                 | 060.119.               | 93                                   | 93                                       | 93                                      | 93                   |  |  |  |
| 5                 | 062.076.               | 93                                   | 93                                       | 93                                      | 93                   |  |  |  |
| 6                 | 062.077.               | 93                                   | 93                                       | 93                                      | 93                   |  |  |  |
| 7                 | 055.067.               | 70                                   | 71                                       | 93                                      | 86                   |  |  |  |
| 8                 | 063.246.               | 70                                   | 71                                       | 93                                      | 86                   |  |  |  |
| 9                 | 063.247.               | 70                                   | 71                                       | 93                                      | 86                   |  |  |  |
| 10                | 063.248.               | 70                                   | 71                                       | 93                                      | 86                   |  |  |  |
| 11                | 063.250.               | 70                                   | 71                                       | 93                                      | 86                   |  |  |  |
| --                | 181.424.               | 70                                   | 71                                       | 93                                      | --                   |  |  |  |
| --                | 181.491.               | --                                   | --                                       | --                                      | 01                   |  |  |  |



## CNK 50 NAKED Kat Euro 2 Motore AM 6 AM 6 engine parts

| Nr.  | Codice     | Q.tà | Descrizione                                 |
|------|------------|------|---|
| 15   | 715.109.00 | 1    | Carburatore DELL'ORTO PHBN 16 - NS / R 3156 |
| 19   | 771.203.00 | 1    | Cilindro completo + pistone Ø 40.3 standard |
| 48   | 024.113.00 | 1    | Motorino avviamento                         |
| 62   | 771.177.00 | 1    | Pistone completo Ø 40.3 standard            |
| 77   | 777.022.00 | 1    | Testa con resche                            |
| 82   | 782.027.00 | 1    | Volano magnete                              |
| 99   | 709.008.00 | 1    | Desmodromico                                |
| 111  | 711.011.00 | 1    | Candela                                     |
| 212  | 721.093.00 | 1    | Coperchio frizione completo                 |
| 213  | 721.095.00 | 1    | Coperchio pompa olio                        |
| 214  | 721.094.00 | 1    | Coperchio volano                            |
| 332  | 733.010.00 | 1    | Forchetta selettore con perni               |
| 333  | 733.011.00 | 1    | Forchetta comando con perno                 |
| 334  | 733.012.00 | 1    | Forchetta comando con perno                 |
| 335  | 733.013.00 | 1    | Forchetta comando con perno                 |
| 381  | 771.196.00 | 1    | Imbiellaggio + gabbia                       |
| 382  | 771.197.00 | 1    | Biella completa                             |
| 435  | 743.021.00 | 1    | Leva frizione completa                      |
| 582  | 758.023.00 | 1    | Pignone rinvio Z = 11                       |
| 606  | 760.063.00 | 1    | Collettore aspirazione                      |
| 641  | 799.119.00 | 1    | Kit pompa olio completa                     |
| 657  | 765.010.00 | 1    | Ponte registro filo pompa olio              |
| 658  | 765.011.00 | 1    | Ponte cavo frizione                         |
| 681  | 771.181.00 | 1    | Serie segmenti Ø 40 standard                |
| 701  | 770.031.00 | 1    | Coppia carter                               |
| 911  | 701.062.00 | 1    | Albero primario                             |
| 914  | 701.064.00 | 1    | Albero secondario                           |
| 915  | 701.065.00 | 1    | Albero selettore con piastrina              |
| 916  | 082.011.00 | 1    | Leva cambio                                 |
| 917  | 701.066.00 | 1    | Contralbero                                 |
| 2430 | 724.076.00 | 1    | Gommino registro filo pompa olio            |
| 2467 | 724.040.00 | 1    | Manicotto entrata acqua                     |
| 2472 | 760.066.00 | 1    | Inserto valvola a lamelle                   |
| 2478 | 724.077.00 | 1    | Gommino passatubi pompa olio                |
| 2492 | 724.033.00 | 1    | Tappo alimentazione olio                    |
| 2607 | 715.107.00 | 1    | Tubetto deviatore                           |
| 2655 | 726.049.00 | 2    | Piastrina passatubo                         |
| 3511 | 735.021.00 | 1    | Spingidisco frizione                        |
| 3540 | 735.018.00 | 3    | Disco frizione condotto                     |
| 3551 | 735.022.00 | 4    | Disco frizione conduttore                   |
| 4001 | 771.108.00 | 1    | Coppia frizione Z = 20 / 71                 |
| 4017 | 740.107.00 | 1    | Tamburo frizione                            |
| 4022 | 740.162.00 | 1    | Ingranaggio 2° velocità su primario         |
| 4023 | 740.163.00 | 1    | Ingranaggio 3° - 4° velocità su primario    |

| Nr.  | Code       | Q.ty | Description                                 |
|------|------------|------|---|
| 15   | 715.109.00 | 1    | Carburettor DELL'ORTO PHBN 16 - NS / R 3156 |
| 19   | 771.203.00 | 1    | Cylinder assy Ø 40.3 standard               |
| 48   | 024.113.00 | 1    | Starter motor                               |
| 62   | 771.177.00 | 1    | Piston assy Ø 40.3 standard                 |
| 77   | 777.022.00 | 1    | Cylinder head assy                          |
| 82   | 782.027.00 | 1    | Magneto flywheel                            |
| 99   | 709.008.00 | 1    | Shift cam assy                              |
| 111  | 711.011.00 | 1    | Spark plug                                  |
| 212  | 721.093.00 | 1    | Clutch cover assy                           |
| 213  | 721.095.00 | 1    | Oil pump cover                              |
| 214  | 721.094.00 | 1    | Magneto flywheel cover                      |
| 332  | 733.010.00 | 1    | Shift fork                                  |
| 333  | 733.011.00 | 1    | Shift fork 1° - 3°                          |
| 334  | 733.012.00 | 1    | Shift fork 2° - 4°                          |
| 335  | 733.013.00 | 1    | Shift fork 5° - 6°                          |
| 381  | 771.196.00 | 1    | Cranckshaft                                 |
| 382  | 771.197.00 | 1    | Connecting rod                              |
| 435  | 743.021.00 | 1    | Clutch lever assy                           |
| 582  | 758.023.00 | 1    | Sprocket Z = 11                             |
| 606  | 760.063.00 | 1    | Intake manifold                             |
| 641  | 799.119.00 | 1    | Oil pump kit assy                           |
| 657  | 765.010.00 | 1    | Oil cable holder                            |
| 658  | 765.011.00 | 1    | Clutch cable holder                         |
| 681  | 771.181.00 | 1    | Piston ring assy Ø 40 standard              |
| 701  | 770.031.00 | 1    | Cranckase set                               |
| 911  | 701.062.00 | 1    | Main shaft                                  |
| 914  | 701.064.00 | 1    | Counter shaft                               |
| 915  | 701.065.00 | 1    | Gear selector shaft                         |
| 916  | 082.011.00 | 1    | Gear lever                                  |
| 917  | 701.066.00 | 1    | Balancer shaft                              |
| 2430 | 724.076.00 | 1    | Oil pump rubber                             |
| 2467 | 724.040.00 | 1    | Water manifold                              |
| 2472 | 760.066.00 | 1    | Reed valve insert                           |
| 2478 | 724.077.00 | 1    | Oil pump rubber                             |
| 2492 | 724.033.00 | 1    | Oil plug                                    |
| 2607 | 715.107.00 | 1    | Pipe  |
| 2655 | 726.049.00 | 2    | Pipe plate                                  |
| 3511 | 735.021.00 | 1    | Clutch pressure disc                        |
| 3540 | 735.018.00 | 3    | Clutch plate driven                         |
| 3551 | 735.022.00 | 4    | Clutch plate drive                          |
| 4001 | 771.108.00 | 1    | Gear set Z = 20 / 71                        |
| 4017 | 740.107.00 | 1    | Clutch drum                                 |
| 4022 | 740.162.00 | 1    | Gear 2 nd drive                             |
| 4023 | 740.163.00 | 1    | Gear 3 rd - 4 th drive                      |

**Motore AM 6**
**AM 6 engine parts**

| Nr.  | Codice     | Q.tà | Descrizione                                  |
|------|------------|------|--|
| 4025 | 740.164.00 | 1    | Ingranaggio 5° velocità su primario          |
| 4026 | 740.165.00 | 1    | Ingranaggio 6° velocità su primario          |
| 4031 | 740.166.00 | 1    | Ingranaggio 1° velocità su secondario        |
| 4032 | 740.167.00 | 1    | Ingranaggio 2° velocità su secondario        |
| 4033 | 740.168.00 | 1    | Ingranaggio 3° velocità su secondario        |
| 4034 | 740.169.00 | 1    | Ingranaggio 4° velocità su secondario        |
| 4035 | 740.170.00 | 1    | Ingranaggio 5° velocità su secondario        |
| 4036 | 740.171.00 | 1    | Ingranaggio 6° velocità su secondario        |
| 4040 | 740.111.00 | 1    | Ingranaggio doppio intermedio                |
| 4048 | 740.113.00 | 1    | Ingranaggio condotto pompa acqua             |
| 4049 | 740.039.00 | 1    | Ingranaggio condotto pompa olio - acqua      |
| 4060 | 740.173.00 | 1    | Coppia ingranaggi contralbero                |
| 4620 | 746.036.00 | 4    | Molla frizione                               |
| 4635 | 746.061.00 | 1    | Molla sfera segnamarce                       |
| 4639 | 746.065.00 | 1    | Molla protezione tubo olio                   |
| 4650 | 746.013.00 | 1    | Molla richiamo forchetta selettore           |
| 4655 | 746.014.00 | 1    | Molla richiamo leva comando cambio           |
| 4660 | 746.038.00 | 1    | Molla richiamo leva frizione                 |
| 4680 | 746.030.00 | 1    | Molla a disco reggispinta 17.3 x 27.7 x 0.35 |
| 5101 | 751.001.00 | 2    | Astuccio a rullini DB 14 - 12                |
| 5106 | 751.038.00 | 1    | Boccola guida molla selettore                |
| 5113 | 751.008.00 | 1    | Gabbia KBK Ø 12 x 15 x 15                    |
| 5146 | 751.005.00 | 1    | Cuscinetto Ø 15 x 35 x 11 (6202)             |
| 5148 | 104.028.00 | 1    | Cuscinetto Ø 17 x 40 x 12 (6203)             |
| 5156 | 751.087.00 | 1    | Cuscinetto Ø 20 x 47 x 14 (6204)             |
| 5172 | 104.028.00 | 1    | Cuscinetto Ø 17 x 40 x 12 (6203)             |
| 5178 | 751.102.00 | 2    | Cuscinetto Ø 17 x 47 x 14                    |
| 5181 | 120.261.00 | 1    | Sfera 3 / 16                                 |
| 5182 | 751.037.00 | 1    | Sfera Ø 9                                    |
| 5303 | 753.002.00 | 1    | Anello di tenuta O.R. Ø 12.5 x 1.5           |
| 5310 | 753.166.00 | 1    | Anello di tenuta O.R. Ø 25.07 x 2.62         |
| 5315 | 753.167.00 | 1    | Anello di tenuta O.R. Ø 15.1 x 2.7           |
| 5318 | 753.048.00 | 1    | Anello di tenuta O.R. Ø 11.8 x 2.4           |
| 5320 | 753.097.00 | 1    | Guarnizione base cilindro                    |
| 5327 | 753.098.00 | 1    | Guarnizione coperchio frizione               |
| 5330 | 753.186.00 | 1    | Guarnizione coperchio volano                 |
| 5341 | 753.100.00 | 1    | Guarnizione corpo pompa acqua                |
| 5357 | 753.028.00 | 1    | Guarnizione vite arresto scorrevole          |
| 5358 | 753.058.00 | 1    | Guarnizione vite livello olio                |
| 5359 | 753.029.00 | 2    | Guarnizione vite scarico olio                |
| 5361 | 753.030.00 | 1    | Guarnizione vite scarico acqua               |
| 5362 | 753.169.00 | 1    | Guarnizione                                  |
| 5371 | 753.031.00 | 1    | Paraolio Ø 12 x 22 x 7                       |
| 5372 | 753.170.00 | 1    | Paraolio Ø 15 x 24 x 5                       |

| Nr.  | Code       | Q.ty | Description                       |
|------|------------|------|-----------------------------------|
| 4025 | 740.164.00 | 1    | Gear 5 th drive                   |
| 4026 | 740.165.00 | 1    | Gear 6 th drive                   |
| 4031 | 740.166.00 | 1    | Gear 1 st driven                  |
| 4032 | 740.167.00 | 1    | Gear 2 nd driven                  |
| 4033 | 740.168.00 | 1    | Gear 3 rd driven                  |
| 4034 | 740.169.00 | 1    | Gear 4 th driven                  |
| 4035 | 740.170.00 | 1    | Gear 5 th driven                  |
| 4036 | 740.171.00 | 1    | Gear 6 th driven                  |
| 4040 | 740.111.00 | 1    | Idle gear assy                    |
| 4048 | 740.113.00 | 1    | Water pump gear                   |
| 4049 | 740.039.00 | 1    | Oil pump gear                     |
| 4060 | 740.173.00 | 1    | Balancer shaft gear set           |
| 4620 | 746.036.00 | 4    | Clutch spring                     |
| 4635 | 746.061.00 | 1    | Gear spring                       |
| 4639 | 746.065.00 | 1    | Oil pipe protection spring        |
| 4650 | 746.013.00 | 1    | Fork spring                       |
| 4655 | 746.014.00 | 1    | Gear lever spring                 |
| 4660 | 746.038.00 | 1    | Clutch lever spring               |
| 4680 | 746.030.00 | 1    | Spring                            |
| 5101 | 751.001.00 | 2    | Needle bearing DB 14 - 12         |
| 5106 | 751.038.00 | 1    | Selector bush                     |
| 5113 | 751.008.00 | 1    | Roller bearing KBK Ø 12 x 15 x 15 |
| 5146 | 751.005.00 | 1    | Bearing Ø 15 x 35 x 11 (6202)     |
| 5148 | 104.028.00 | 1    | Bearing Ø 17 x 40 x 12 (6203)     |
| 5156 | 751.087.00 | 1    | Bearing Ø 20 x 47 x 14 (6204)     |
| 5172 | 104.028.00 | 1    | Bearing Ø 17 x 40 x 12 (6203)     |
| 5178 | 751.102.00 | 2    | Bearing Ø 17 x 47 x 14            |
| 5181 | 120.261.00 | 1    | Cage 3 / 16                       |
| 5182 | 751.037.00 | 1    | Cage Ø 9                          |
| 5303 | 753.002.00 | 1    | Oil seal O.R. Ø 12.5 x 1.5        |
| 5310 | 753.166.00 | 1    | Oil seal O.R. Ø 25.07 x 2.62      |
| 5315 | 753.167.00 | 1    | Oil seal O.R. Ø 15.1 x 2.7        |
| 5318 | 753.048.00 | 1    | Oil seal O.R. Ø 11.8 x 2.4        |
| 5320 | 753.097.00 | 1    | Base cylinder gasket              |
| 5327 | 753.098.00 | 1    | Clutch cover gasket               |
| 5330 | 753.186.00 | 1    | Magneto flywheel cover gasket     |
| 5341 | 753.100.00 | 1    | Water pump body gasket            |
| 5357 | 753.028.00 | 1    | Gasket                            |
| 5358 | 753.058.00 | 1    | Oil level screw gasket            |
| 5359 | 753.029.00 | 2    | Oil drain screw gasket            |
| 5361 | 753.030.00 | 1    | Water hose gasket                 |
| 5362 | 753.169.00 | 1    | Neutral switch gasket             |
| 5371 | 753.031.00 | 1    | Oil seal Ø 12 x 22 x 7            |
| 5372 | 753.170.00 | 1    | Oil seal Ø 15 x 24 x 5            |

## CNK 50 NAKED Kat Euro 2

### Motore AM 6

### AM 6 engine parts

| Nr.   | Codice     | Q.tà | Descrizione                                |
|-------|------------|------|--|
| 5376  | 753.171.00 | 1    | Paraolio B1B Ø 17 x 35 x 8                 |
| 5395  | 753.172.00 | 1    | Paraolio BADUO Ø 10 x 18 x 8               |
| 5398  | 753.102.00 | 1    | Paraolio BAVI U3 24 x 35 x 7               |
| 5603  | 756.060.00 | 1    | Perno pompa acqua con girante              |
| 5605  | 743.022.00 | 1    | Asta frizione                              |
| 5609  | 021.027.00 | 1    | Bulbo temperatura acqua                    |
| 5611  | 756.104.00 | 1    | Busta porta sfera segnamarce               |
| 5612  | 756.080.00 | 1    | Termostato                                 |
| 5615  | 756.015.00 | 2    | Grano riferimento carter                   |
| 5616  | 756.016.00 | 2    | Grano riferimento coperchi                 |
| 5636  | 756.064.00 | 1    | Perno guida forchetta                      |
| 5637  | 756.105.00 | 1    | Perno guida forchetta                      |
| 5645  | 756.035.00 | 1    | Interruttore spia folle                    |
| 5650  | 756.106.00 | 1    | Perno pompa olio                           |
| 5653  | 756.107.00 | 1    | Perno                                      |
| 5661  | 756.024.00 | 2    | Rullo per ingranaggio                      |
| 5663  | 756.038.00 | 2    | Rullo riferimento corpo pompa              |
| 5665  | 756.013.00 | 1    | Asta spingidisco frizione completa         |
| 5670  | 756.055.00 | 1    | Spinotto Ø 12 x 34.5                       |
| 6013  | 760.076.00 | 1    | Corpo pompa acqua                          |
| 6015  | 760.065.00 | 1    | Valvola lamelle completa                   |
| 6050  | 094.023.00 | 1    | Valvola aria AIS - (vedi Tav. I - Fig. 14) |
| 9323  | 703.002.00 | 2    | Anello fermo spinotto Ø 12                 |
| 9351  | 703.003.00 | 3    | Anello seeger per albero Ø 8               |
| 9352  | 703.036.00 | 2    | Anello seeger per albero Ø 12              |
| 9355  | 703.037.00 | 2    | Anello seeger per albero Ø 18              |
| 9362  | 703.039.00 | 3    | Anello seeger per albero Ø 20              |
| 9363  | 703.040.00 | 2    | Anello seeger per albero Ø 14              |
| 9365  | 703.041.00 | 3    | Anello seeger per albero Ø 20              |
| 15270 | 715.056.00 | 1    | Raccordo sfiato olio                       |
| 24107 | 077.058.00 | 2    | Tubo raccordo testa - carburatore          |
| 49001 | 749.298.00 | 1    | Fascetta supporto motorino avviamento      |
| 49004 | 749.148.00 | 1    | Fascetta tubo pompa olio                   |
| 49005 | 749.180.00 | 1    | Fascetta collettore aspirazione            |
| 49007 | 749.147.00 | 1    | Fascetta tubo entrata olio                 |
| 49009 | 749.285.00 | 1    | Chiavetta ingranaggio contralbero          |
| 49010 | 749.170.00 | 1    | Chiavetta pignone                          |
| 49015 | 749.003.00 | 1    | Chiavetta volano magnete                   |
| 49022 | 749.220.00 | 4    | Fascetta                                   |
| 49035 | 749.074.00 | 1    | Dado M 7 x 5.5 - (CH = 12)                 |
| 49037 | 749.209.00 | 4    | Dado M 7 x 1 autobloccante cieco           |
| 49040 | 749.158.00 | 1    | Dado M 10 x 1.25 - (CH = 15)               |
| 49041 | 749.052.00 | 1    | Dado M 12 x 1.25 - (CH = 17) - H = 7       |
| 49042 | 749.009.00 | 1    | Dado M 14 x 1.25 - (CH = 19) - H = 6       |

| Nr.   | Code       | Q.ty | Description                            |
|-------|------------|------|--|
| 5376  | 753.171.00 | 1    | Oli seal B1B Ø 17 x 35 x 8             |
| 5395  | 753.172.00 | 1    | Oil seal BADUO Ø 10 x 18 x 8           |
| 5398  | 753.102.00 | 1    | Oil seal BAVI U3 24 x 35 x 7           |
| 5603  | 756.060.00 | 1    | Water pump impeller                    |
| 5605  | 743.022.00 | 1    | Clutch push rod                        |
| 5609  | 021.027.00 | 1    | Water temperature switch               |
| 5611  | 756.104.00 | 1    | Gear cage housing                      |
| 5612  | 756.080.00 | 1    | Thermostat                             |
| 5615  | 756.015.00 | 2    | Cranckcase pin                         |
| 5616  | 756.016.00 | 2    | Cover pin                              |
| 5636  | 756.064.00 | 1    | Fork pin                               |
| 5637  | 756.105.00 | 1    | Fork pin                               |
| 5645  | 756.035.00 | 1    | Neutral switch                         |
| 5650  | 756.106.00 | 1    | Oil pump pivot                         |
| 5653  | 756.107.00 | 1    | Pivot                                  |
| 5661  | 756.024.00 | 2    | Gear pin                               |
| 5663  | 756.038.00 | 2    | Water pump body pin                    |
| 5665  | 756.013.00 | 1    | Clutch push rod                        |
| 5670  | 756.055.00 | 1    | Piston pin Ø 12 x 34.5                 |
| 6013  | 760.076.00 | 1    | Water pump body                        |
| 6015  | 760.065.00 | 1    | Reed valve assy                        |
| 6050  | 094.023.00 | 1    | Air valve AIS - (See Tav. I - draw 14) |
| 9323  | 703.002.00 | 2    | Piston pin circlip Ø 12                |
| 9351  | 703.003.00 | 3    | Seeger shaft Ø 8                       |
| 9352  | 703.036.00 | 2    | Seeger shaft Ø 12                      |
| 9355  | 703.037.00 | 2    | Seeger shaft Ø 18                      |
| 9362  | 703.039.00 | 3    | Seeger shaft Ø 20                      |
| 9363  | 703.040.00 | 2    | Seeger shaft Ø 14                      |
| 9365  | 703.041.00 | 3    | Seeger shaft Ø 20                      |
| 15270 | 715.056.00 | 1    | Oil drain joint                        |
| 24107 | 077.058.00 | 2    | Head - carburettor hose joint          |
| 49001 | 749.298.00 | 1    | Starter motor bracket clamp            |
| 49004 | 749.148.00 | 1    | Oil pump pipe clamp                    |
| 49005 | 749.180.00 | 1    | Intake manifold clamp                  |
| 49007 | 749.147.00 | 1    | Clamp                                  |
| 49009 | 749.285.00 | 1    | Balancer shaft key                     |
| 49010 | 749.170.00 | 1    | Sprocket key                           |
| 49015 | 749.003.00 | 1    | Woodruff key                           |
| 49022 | 749.220.00 | 4    | Clamp                                  |
| 49035 | 749.074.00 | 1    | Nut M 7 x 5.5 - (CH = 12)              |
| 49037 | 749.209.00 | 4    | Nut M 7 x 1                            |
| 49040 | 749.158.00 | 1    | Nut M 10 x 1.25 - (CH = 15)            |
| 49041 | 749.052.00 | 1    | Nut M 12 x 1.25 - (CH = 17) - H = 7    |
| 49042 | 749.009.00 | 1    | Nut M 14 x 1.25 - (CH = 19) - H = 6    |

**Motore AM 6**
**AM 6 engine parts**

| Nr.   | Codice     | Q.tà | Descrizione                              |
|-------|------------|------|--|
| 49049 | 749.111.00 | 1    | Dado M 12 x 1 - (CH = 19) - H = 5        |
| 49056 | 749.272.00 | 1    | Dado M 12 x 1.25 - (CH = 17) - H = 11    |
| 49068 | 749.077.00 | 1    | Distanziale forchetta                    |
| 49070 | 749.286.00 | 1    | Distanziale cuscinetto paraolio frizione |
| 49074 | 749.115.00 | 1    | Distanziale inferiore tamburo frizione   |
| 49084 | 749.078.00 | 4    | Prigioniero M 7 x 115                    |
| 49095 | 749.287.00 | 4    | Rondella bisellata Ø 7.4 x 14 x 1.6      |
| 49099 | 749.288.00 | 1    | Dado M 5 x 0.75                          |
| 49101 | 749.079.00 | 1    | Rondella dentellata Ø 7                  |
| 49120 | 749.054.00 | 2    | Rondella rasamento Ø 10 x 16 x 0.6       |
| 49122 | 749.273.00 | 1    | Rondella Ø 12 x 17 x 0.6                 |
| 49124 | 749.025.00 | 2    | Rondella Ø 12.3 x 22                     |
| 49132 | 749.275.00 | 1    | Rondella Ø 17.2 x 30 x 0.8               |
| 49135 | 749.276.00 | 3    | Rondella Ø 20.45 x 28 x 0.4              |
| 49139 | 749.277.00 | 2    | Rondella Ø 14.5 x 27 x 0.4               |
| 49151 | 749.161.00 | 3    | Rondella Ø 8.4 x 16 x 0.6                |
| 49155 | 749.120.00 | 3    | Rondella Ø 8.2 x 15 x 1                  |
| 49175 | 749.061.00 | 1    | Rondella Ø 12.75 x 28 x 1.5              |
| 49191 | 749.127.00 | 4    | Rondella Ø 5 x 15 x 2                    |
| 49192 | 749.128.00 | 1    | Rondella Ø 12                            |
| 49193 | 749.129.00 | 1    | Rondella Ø 14 x 26 x 0.5                 |
| 49200 | 749.063.00 | 1    | Vite registro frizione                   |
| 49226 | 749.278.00 | 3    | Vite M 4 x 10 con flangia                |
| 49227 | 749.035.00 | 2    | Vite M 6 x 7                             |
| 49228 | 749.138.00 | 4    | Vite M 5 x 20                            |
| 49230 | 749.088.00 | 2    | Vite M 4 x 10                            |
| 49236 | 749.141.00 | 2    | Vite M 5 x 16                            |
| 49238 | 749.065.00 | 5    | Vite M 5 x 20                            |
| 49244 | 749.279.00 | 2    | Vite M 6 x 22                            |
| 49245 | 749.068.00 | 2    | Vite M 6 x 25                            |
| 49246 | 749.038.00 | 7    | Vite M 6 x 30                            |
| 49248 | 749.280.00 | 13   | Vite M 6 x 40                            |
| 49251 | 749.281.00 | 1    | Vite M 6 x 55                            |
| 49255 | 749.176.00 | 1    | Vite M 6 x 12                            |
| 49256 | 749.153.00 | 1    | Vite M 5 x 12                            |
| 49281 | 749.069.00 | 1    | Vite M 8 x 10 - (CH = 13) scarico olio   |
| 49290 | 749.070.00 | 1    | Vite M 12 x 1.25 arresto scorrevole M.M. |
| 49292 | 749.282.00 | 2    | Vite M 6 x 20                            |
| 49401 | 749.177.00 | 1    | Rondella acciaio Ø 15 x 25               |
| 49405 | 749.255.00 | 1    | Rondella Ø 6 x 11 x 1.2                  |
| 49514 | 749.299.00 | 2    | Vite M 6 x 25                            |
| 49528 | 749.283.00 | 1    | Vite tendifilo                           |
| 49840 | 749.284.00 | 2    | Vite M 5 x 35                            |
| 53309 | 753.174.00 | 1    | Guarnizione testa esterna                |

| Nr.   | Code       | Q.ty | Description                          |
|-------|------------|------|--------------------------------------|
| 49049 | 749.111.00 | 1    | Nut M 12 x 1 - (CH = 19) - H = 5     |
| 49056 | 749.272.00 | 1    | Nut M 12 x 1.25 - (CH = 17) - H = 11 |
| 49068 | 749.077.00 | 1    | Fork spacer                          |
| 49070 | 749.286.00 | 1    | Bearing spacer                       |
| 49074 | 749.115.00 | 1    | Lower spacer                         |
| 49084 | 749.078.00 | 4    | Stud bolt M 7 x 115                  |
| 49095 | 749.287.00 | 4    | Washer Ø 7.4 x 14 x 1.6              |
| 49099 | 749.288.00 | 1    | Nut M 5 x 0.75                       |
| 49101 | 749.079.00 | 1    | Washer Ø 7                           |
| 49120 | 749.054.00 | 2    | Washer Ø 10 x 16 x 0.6               |
| 49122 | 749.273.00 | 1    | Washer Ø 12 x 17 x 0.6               |
| 49124 | 749.025.00 | 2    | Washer Ø 12.3 x 22                   |
| 49132 | 749.275.00 | 1    | Washer Ø 17.2 x 30 x 0.8             |
| 49135 | 749.276.00 | 3    | Washer Ø 20.45 x 28 x 0.4            |
| 49139 | 749.277.00 | 2    | Washer Ø 14.5 x 27 x 0.4             |
| 49151 | 749.161.00 | 3    | Washer Ø 8.4 x 16 x 0.6              |
| 49155 | 749.120.00 | 3    | Washer Ø 8.2 x 15 x 1                |
| 49175 | 749.061.00 | 1    | Washer Ø 12.75 x 28 x 1.5            |
| 49191 | 749.127.00 | 4    | Washer Ø 5 x 15 x 2                  |
| 49192 | 749.128.00 | 1    | Washer Ø 12                          |
| 49193 | 749.129.00 | 1    | Washer Ø 14 x 26 x 0.5               |
| 49200 | 749.063.00 | 1    | Clutch adjusting screw               |
| 49226 | 749.278.00 | 3    | Screw M 4 x 10                       |
| 49227 | 749.035.00 | 2    | Screw M 6 x 7                        |
| 49228 | 749.138.00 | 4    | Screw M 5 x 20                       |
| 49230 | 749.088.00 | 2    | Screw M 4 x 10                       |
| 49236 | 749.141.00 | 2    | Screw M 5 x 16                       |
| 49238 | 749.065.00 | 5    | Screw M 5 x 20                       |
| 49244 | 749.279.00 | 2    | Screw M 6 x 22                       |
| 49245 | 749.068.00 | 2    | Screw M 6 x 25                       |
| 49246 | 749.038.00 | 7    | Screw M 6 x 30                       |
| 49248 | 749.280.00 | 13   | Screw M 6 x 40                       |
| 49251 | 749.281.00 | 1    | Screw M 6 x 55                       |
| 49255 | 749.176.00 | 1    | Screw M 6 x 12                       |
| 49256 | 749.153.00 | 1    | Screw M 5 x 12                       |
| 49281 | 749.069.00 | 1    | Screw M 8 x 10 - (CH = 13)           |
| 49290 | 749.070.00 | 1    | Screw M 12 x 1.25                    |
| 49292 | 749.282.00 | 2    | Screw M 6 x 20                       |
| 49401 | 749.177.00 | 1    | Washer Ø 15 x 25                     |
| 49405 | 749.255.00 | 1    | Washer Ø 6 x 11 x 1.2                |
| 49514 | 749.299.00 | 2    | Screw M 6 x 25                       |
| 49528 | 749.283.00 | 1    | Screw                                |
| 49840 | 749.284.00 | 2    | Screw M 5 x 35                       |
| 53309 | 753.174.00 | 1    | External head gasket                 |

## CNK 50 NAKED Kat Euro 2

### Motore AM 6

### AM 6 engine parts

| Nr. | Codice | Q.tà | Descrizione |
|-----|--------|------|-------------|
|-----|--------|------|-------------|

|       |            |   |  |
|-------|------------|---|--|
| 53310 | 753.175.00 | 1 | Guarnizione testa interna                  |
| 53508 | 753.173.00 | 1 | Paraolio BASL Ø 20 x 35 x 7                |
| --    | 701.067.00 | 1 | Albero primario completo                   |
| --    | 701.068.00 | 1 | Albero secondario completo                 |
| --    | 701.069.00 | 1 | Albero selettore completo                  |
| --    | 721.096.00 | 1 | Coperchio frizione completo                |
| --    | 740.174.00 | 1 | Cambio completo 6 velocità                 |
| --    | 799.116.00 | 1 | Serie guarnizioni AM 6                     |
| --    | 771.110.00 | 1 | Serie paraolio AM 6                        |
| --    | 771.176.00 | 1 | Pistone completo Ø 40.3 - 1° maggiorazione |
| --    | 771.175.00 | 1 | Serie segmenti Ø 40.3 - 1° maggiorazione   |
| --    | 142.131.03 | 1 | Motore completo (174.129) Euro 2           |

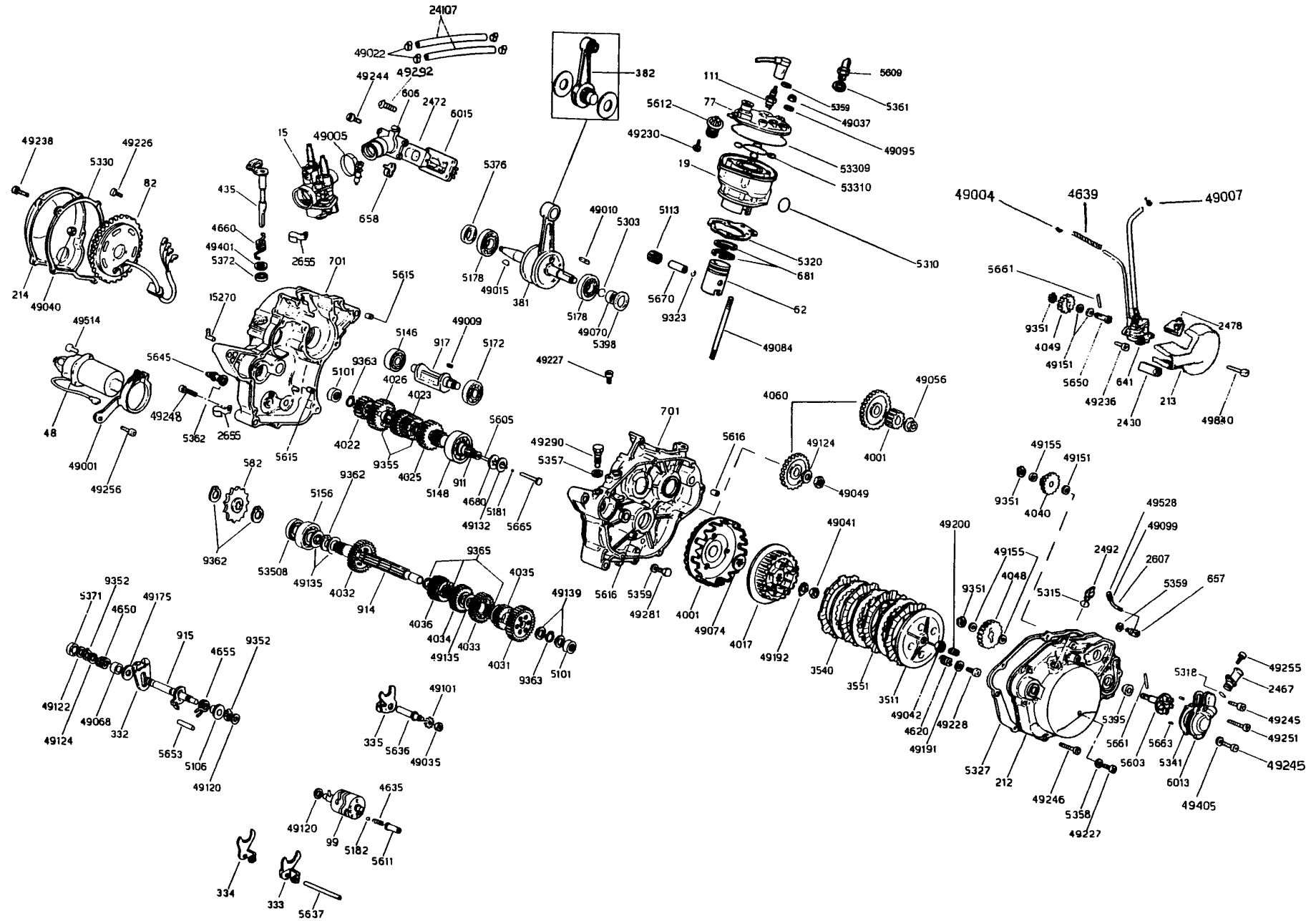
| Nr. | Code | Q.ty | Description |
|-----|------|------|-------------|
|-----|------|------|-------------|

|       |            |   |  |
|-------|------------|---|--|
| 53310 | 753.175.00 | 1 | Internal head gasket                   |
| 53508 | 753.173.00 | 1 | Oil seal BASL Ø 20 x 35 x 7            |
| --    | 701.067.00 | 1 | Main shaft assy                        |
| --    | 701.068.00 | 1 | Counter shaft assy                     |
| --    | 701.069.00 | 1 | Gear selector shaft assy               |
| --    | 721.096.00 | 1 | Clutch cover assy                      |
| --    | 740.174.00 | 1 | Gear assy 6 speed                      |
| --    | 799.116.00 | 1 | Gasket set AM 6                        |
| --    | 771.110.00 | 1 | Oil seal set AM 6                      |
| --    | 771.176.00 | 1 | Piston assy Ø 40.3 - 1° oversized      |
| --    | 771.175.00 | 1 | Piston ring assy Ø 40.3 - 1° oversized |
| --    | 142.131.03 | 1 | Engine assy (174.129) Euro 2           |

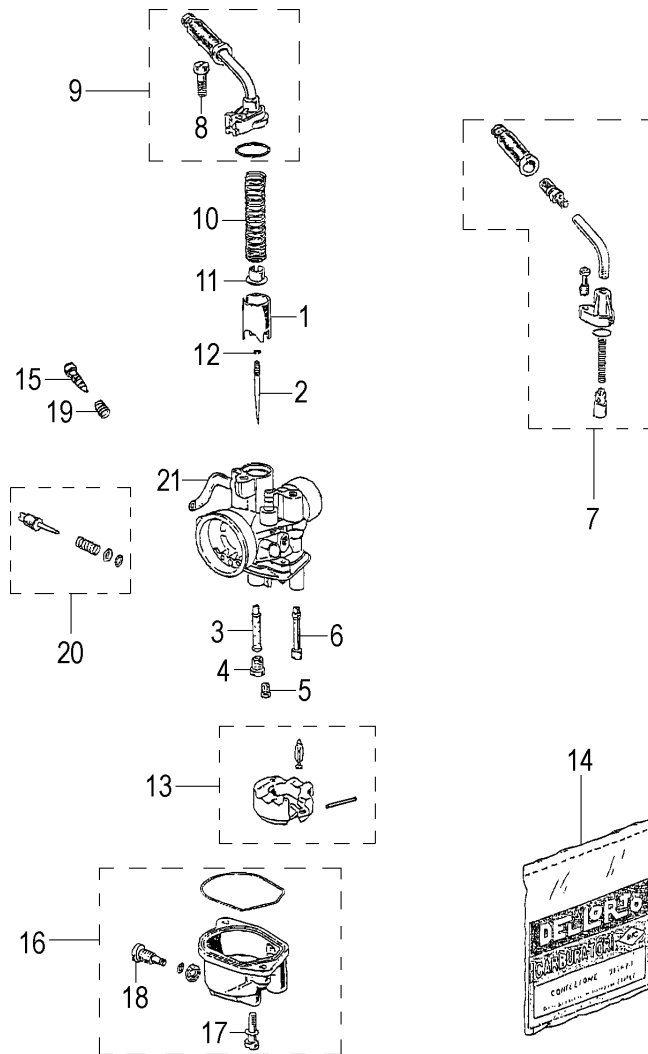
# CNK 50 NAKED Kat Euro 2

## Motore AM 6

### AM 6 engine parts





**Carburatore  
Carburettor**


| Nr. | Codice     | Q.tà | Descrizione   |
|-----|------------|------|---|
| 01  | 623.266.00 | 1    | Valvola gas completa Ø 40                               |
| 02  | 623.323.00 | 1    | Spillo conico A 39                                      |
| 03  | 623.322.00 | 1    | Polverizzatore HA 210                                   |
| 04  | 623.321.00 | 1    | Getto massimo Ø 76                                      |
| 05  | 623.337.00 | 1    | Getto minimo Ø 34                                       |
| 06  | 623.267.00 | 1    | Getto avviamento Ø 45                                   |
| 07  | 623.268.00 | 1    | Kit starter avviamento                                  |
| 08  | 623.263.00 | 1    | Vite coperchio valvola gas                              |
| 09  | 623.262.00 | 1    | Coperchio valvola gas                                   |
| 10  | 623.241.00 | 1    | Molla richiamo valvola gas                              |
| 11  | 623.053.00 | 1    | Fermo spillo conico                                     |
| 12  | 623.054.00 | 1    | Seeger spillo conico                                    |
| 13  | 623.134.00 | 1    | Galleggiante completo                                   |
| 14  | 623.281.00 | 1    | Busta guarnizioni                                       |
| 15  | 623.073.00 | 1    | Vite regolazione aria minimo                            |
| 16  | 623.260.00 | 1    | Vaschetta completa                                      |
| 17  | 623.060.00 | 2    | Vite fissaggio vaschetta                                |
| 18  | 623.261.00 | 1    | Vite spurgo vaschetta                                   |
| 19  | 623.076.00 | 1    | Molla vite regolaz. aria minimo                         |
| 20  | 623.250.00 | 1    | Kit vite regolazione valvola gas                        |
| 21  | 623.280.00 | 1    | Tubo aria vaschetta                                     |
| --  | 715.109.00 | 1    | Carburatore completo Dell'Orto<br>PHBN 16 - NS / R 3156 |

| Nr. | Code       | Q.ty | Description   |
|-----|------------|------|---|
| 01  | 623.266.00 | 1    | Throttle valve assy Ø 40                            |
| 02  | 623.323.00 | 1    | Needle A 39   |
| 03  | 623.322.00 | 1    | Spray nozzle HA 210                                 |
| 04  | 623.321.00 | 1    | Max jet Ø 76  |
| 05  | 623.337.00 | 1    | Idle jet Ø 34                                       |
| 06  | 623.267.00 | 1    | Starter jet Ø 45                                    |
| 07  | 623.268.00 | 1    | Starter kit   |
| 08  | 623.263.00 | 1    | Carburettor panel screw                             |
| 09  | 623.262.00 | 1    | Carburettor panel                                   |
| 10  | 623.241.00 | 1    | Throttle valve spring                               |
| 11  | 623.053.00 | 1    | Needle ring   |
| 12  | 623.054.00 | 1    | Needle seeger                                       |
| 13  | 623.134.00 | 1    | Float assy  |
| 14  | 623.281.00 | 1    | Gasket set  |
| 15  | 623.073.00 | 1    | Idle adj. screw                                     |
| 16  | 623.260.00 | 1    | Float chamber assy                                  |
| 17  | 623.060.00 | 2    | Float chamber fixing screw                          |
| 18  | 623.261.00 | 1    | Float chamber drain screw                           |
| 19  | 623.076.00 | 1    | Idle screw spring                                   |
| 20  | 623.250.00 | 1    | Throttle valve adj. screw kit                       |
| 21  | 623.280.00 | 1    | Float chamber pipe                                  |
| --  | 715.109.00 | 1    | Carburettor assy Dell'Orto<br>PHBN 16 - NS / R 3156 |